



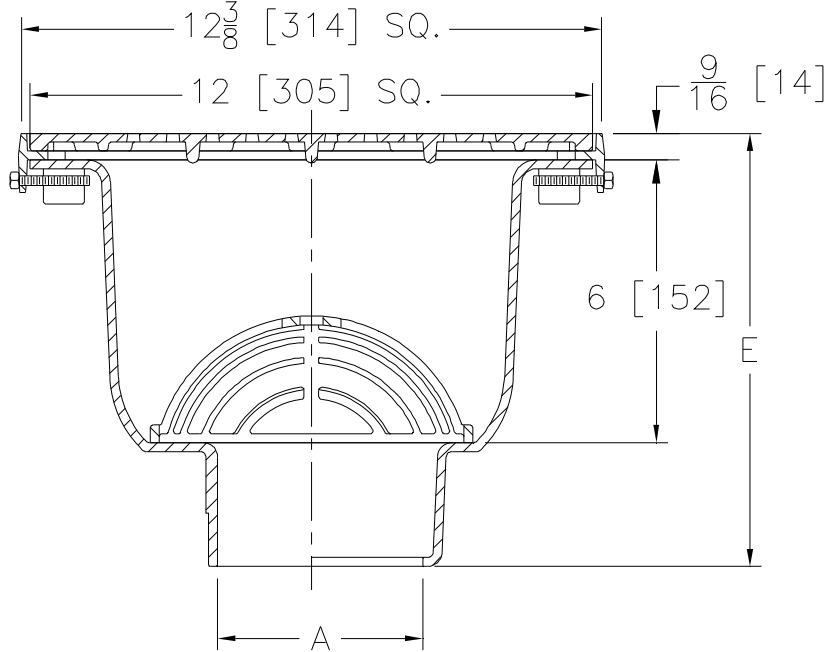
ZN1900-HP

12-3/8 x 12-3/8 [314 x 314] A.R.E. SANI-FLOR RECEPTOR
W/ 6 [152] SUMP DEPTH , NICKEL BRONZE FRAME &
HEEL-PROOF GRATE

SPECIFICATION SHEET

TAG _____

Dimensional Data (inches and [mm]) are Subject to Manufacturing Tolerances and Change Without Notice



A Pipe Size In. [mm]	Approx Wt. Lbs. [kg]	Grate Open Area Sq. In. [cm ²]
2,3,4 [51,76,102]	37 [17]	18 [115]

ENGINEERING SPECIFICATION: ZURN ZN1900-HP

Sani-Flor Receptor 12-3/8" x 12-3/8" x 6" [314mm x 314mm x 152mm] deep cast iron body with acid resisting porcelain enamel interior, black ground enamel exterior coating, nickel bronze frame and heel-proof grate complete with white ABS anti-splash interior bottom dome strainer.

OPTIONS (Check/specify appropriate options)

PIPE SIZE

3,4 [76,102]
2,3,4 [51,76,102]
2,3,4 [51,76,102]

(Specify size/type) OUTLET

_____ IC Inside Caulk
_____ NH No-Hub
_____ NL Neo-Loc

'E' DIMENSION

9-1/8 [232]
9-1/8 [232]
8-1/2 [216]

PREFIXES

_____ ZN Cast Iron Body with White A.R.E. Interior, 12-3/8 [314] Square Nickel Bronze Frame and Full Grate with 1/4 [6] Slotted Openings.*

SUFFIXES

_____ -DX	Dex-O-Tex Flange	_____ -11	Vandal-Proof Secured Top
_____ -K	Anchor Flange with Seepage Holes	_____ -23	Aluminum Bucket
_____ -KC	Anchor Flange with Seepage Holes and Clamp Collar	_____ -25	White A.R.C. Bucket
_____ -LD	Less Bottom Dome Strainer	_____ -31	Stainless Steel Mesh Liner for Bucket
_____ -P	1/2 [13] Trap Primer Connection (See Z1023)	_____ -32	Aluminum Dome Strainer
_____ -SA	Stabilizer Assembly (See Z1903)	_____ -33	White A.R.C. Anti-Splash Bottom Dome Strainer
_____ -TC	Neo-Loc Test Cap Gasket (2,3,4 [51,76,102] NL Bottom Outlet Only)		
_____ -VPS	Vandal-Proof Stainer		
_____ -2	1/2 Grate		
_____ -3	3/4 Grate		
_____ -4	Full-Grate w/ Center Opening 3-1/32 [77] Square		
_____ -6	Grate w/ 6 [152] dia. x 6 [152] High Funnel		
_____ -8	Grate w/ 8-7/8 x 3-5/8 x 3-3/4 [225 x 92 x 95] High Oval Funnel		

* Regularly furnished unless otherwise specified.

Zurn Industries, LLC | Specification Drainage Operation
1801 Pittsburgh Avenue, Erie, PA U.S.A. 16502 · Ph. 855-663-9876, Fax 814-454-7929
In Canada | Zurn Industries Limited
3544 Nashua Drive, Mississauga, Ontario L4V 1L2 · Ph. 905-405-8272, Fax 905-405-1292
www.zurn.com

Rev. E
Date: 10/12/17
C.N. No. 138701
Prod. | Dwg. No. ZN1900-HP