



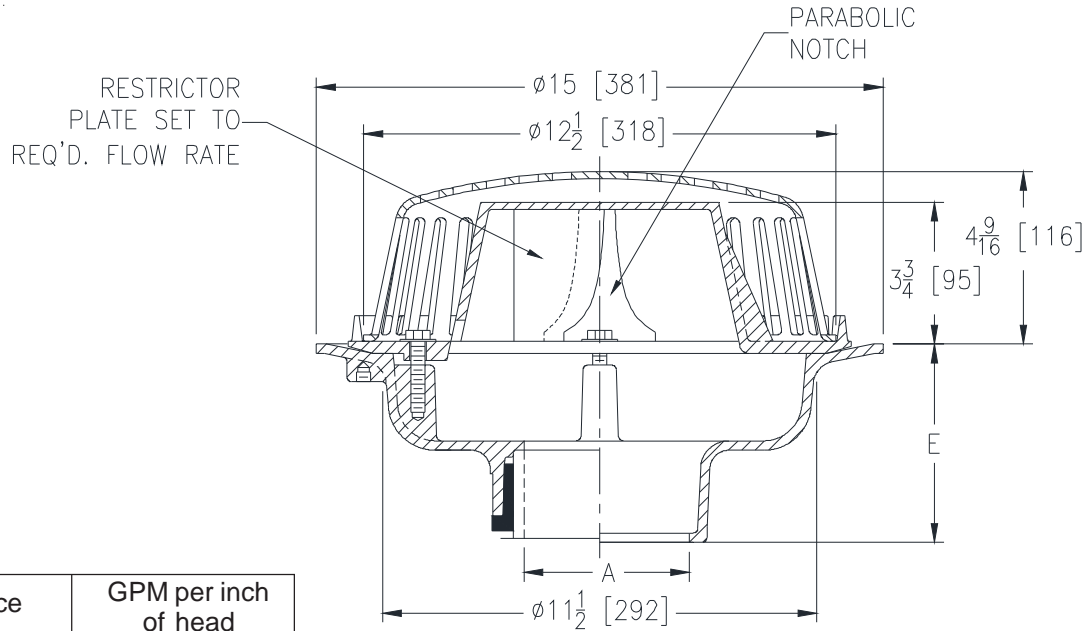
Z105-99

CONTROL-FLO ROOF DRAIN
W/ PARABOLIC WEIR WITH THREE NOTCHES
(FOR FLAT ROOF)

SPECIFICATION SHEET

TAG _____

Dimensional Data (inches and [mm]) are Subject to Manufacturing Tolerances and Change Without Notice



| | | |
|----------------------------|----------------------------------|---|
| Plate Distance In. [mm] | GPM per inch of head [LPM] | |
| 1/32 [0.79] | 29.17 [110.42] | |
| A Pipe Size In. [mm] | Approx. Wt. Lbs. [kg] | Dome Open Area Sq. In. [cm ²] |
| 2,3,4 [51,76,102] | 34 [15] | 103 [665] |

ENGINEERING SPECIFICATION: ZURN Z105-99

15 [381] Diameter Control-Flo Roof Drain for Dead-Level roof construction. Dura-Coated cast iron body, linear functioning Control-Flo weir with single restrictor plate, integral membrane flashing clamp/gravel guard and Poly-Dome. All data shall be verified proportional to flow rates. Control-Flo weir supplied with three notches.

OPTIONS (Check/specify appropriate options)

PIPE SIZE

- 2,3,4 [51,76,102]
- 2,3,4 [51,76,102]
- 2,3,4 [51,76,102]
- 2,3,4 [51,76,102]

(Specify size/type) **OUTLET**

- _____ IC Inside Caulk
- _____ IP Threaded
- _____ NH No-Hub
- _____ NL Neo-Loc

E BODY HT. DIM.

- 5-1/4 [133]
- 3-3/4 [95]
- 5-1/4 [133]
- 4-9/16 [116]

PREFIXES

- _____ Z D.C.C.I. Body with Poly-Dome*
- _____ ZA D.C.C.I. Body with Aluminum Dome
- _____ ZC D.C.C.I. Body with Cast Iron Dome
- _____ ZRB D.C.C.I. Body with Plain Bronze Dome

SUFFIXES

- _____ -C Underdeck Clamp
- _____ -DE Deck Extension
- _____ -DP Top-Set® Deck Plate
- _____ -DR Top-Set® Drain Riser
- _____ -DX Dex-o-Tex Flange
- _____ -E Static Extension 1 [25] thru 4 [102] (Specify Ht.)
- _____ -EA Adjustable Extension Assembly
2-1/8 [54] thru 3-1/2 [89]
- _____ -G Galvanized Cast Iron
- _____ -R Roof Sump Receiver
- _____ -SC Secondary Clamping Collar
- _____ -TC Neo-Loc Test Cap Gasket
(2,3,4 [51,76,102] NL Bottom Outlet Only)
- _____ -VP Vandal Proof Secured Top
- _____ -XJ Vertical Expansion Joint (See Z190)
- _____ -90 90° Threaded Side Outlet Body

* Regularly furnished unless otherwise specified.