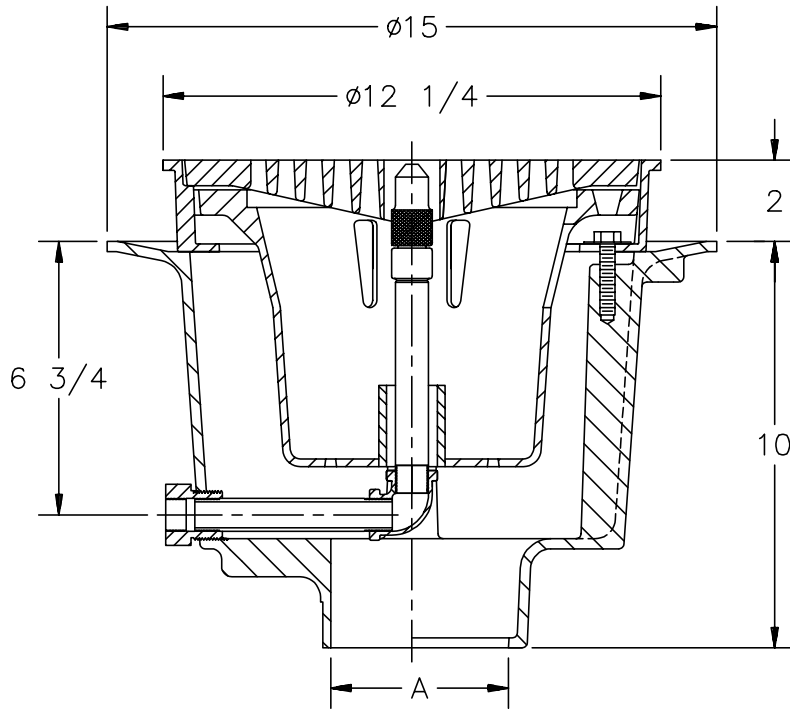




Z-539
12" HEAVY DUTY CAN WASH DRAIN
WITH DEEP SUMP

TAG _____

Dimensional Data (inches and [mm]) are Subject to Manufacturing Tolerances and Change Without Notice



A- Pipe Size In.	Approx. Wt. Lbs	Grate Open Area Sq. In.
3-4-5-6	68	30
8		

ENGINEERING SPECIFICATION: ZURN Z-539-76 12" Diameter Can Wash Drain. Dura-Coated cast iron deep sump body with bottom outlet, seepage pan and combination membrane flashing clamp and frame for sediment bucket and heavy duty slotted grate. Complete with chrome plated bronze spray nozzle and water supply assembly.

OPTIONS (Check/specify appropriate options)

OUTLET (Specify type)

- _____ **IC** Inside Caulk
- _____ **IG** Inside Caulk w/Sealtrol Gskt.
- _____ **NH** No-Hub

PIPE SIZE (Specify size)

- _____ 3" thru 6"
- _____ 3",4",6"
- _____ 3" thru 6",8"

PREFIXES

- _____ **Z-** D.C.C.I. Body and Grate*
- _____ **ZB-** D.C.C.I. Body with Polished Bronze Grate (Add 3/16" to 2" Dim.)
- _____ **ZN-** D.C.C.I. Body with Polished Nickel Bronze Grate (Add 3/16" to 2" Dim.)

SUFFIXES

- _____ **-DG** Duresist Grate
- _____ **-FY** Free Standing Bucket
- _____ **-G** Galvanized Cast Iron
- _____ **-T** Square Top
- _____ **-VP** Vandal Proof Secured Top

REV.	DATE: 2/15/95	C.N. NO. 70842
DWG. NO. P-14140		PRODUCT NO. Z-539-76

*REGULARLY FURNISHED UNLESS OTHERWISE SPECIFIED