



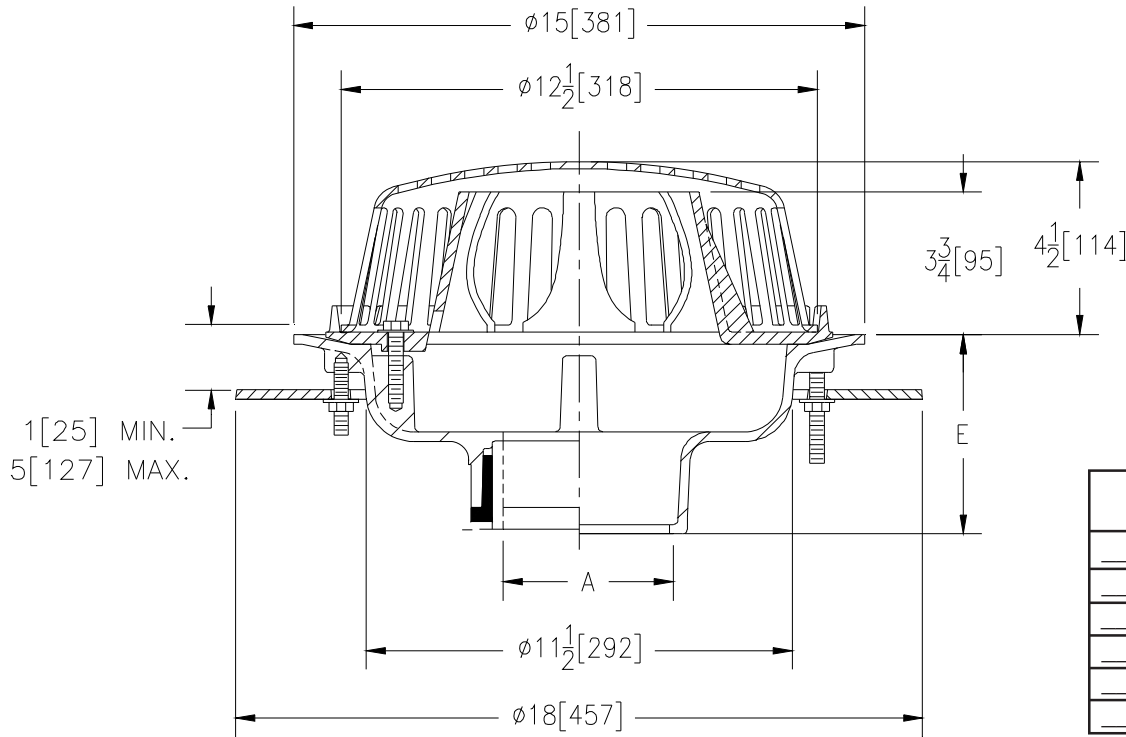
Z105-C

CONTROL-FLO ROOF DRAIN WITH PARABOLIC WEIR AND UNDERDECK CLAMP

SPECIFICATION SHEET

TAG _____

Dimensional Data (inches and [mm]) are Subject to Manufacturing Tolerances and Change Without Notice



Specify Number of Notches in Weir	
___-N1	One Notch
___-N2	Two Notches
___-N3	Three Notches
___-N4	Four Notches
___-N5	Five Notches
___-N6	Six Notches

A- Pipe Size In. [mm]	Approx. Wt. Lbs. [kg]	Dome Open Area Sq. In. [cm ²]
2,3,4 [51, 76, 102]	44 [20]	103 [665]

ENGINEERING SPECIFICATION: ZURN Z105-C

Control-Flo roof drain for Dead-Level roof construction, Dura-Coated cast iron body, Control-Flo weir shall be linear functioning with integral membrane flashing clamp/gravel guard, Poly-Dome and underdeck clamp. All data shall be verified proportional to flow rates. Each notch will allow 10 GPM of flow per inch of rain water build up above drain.

OPTIONS (Check/specify appropriate options)

PIPE SIZE

- 3, 4 [76, 102]
- 2, 3, 4 [51, 76, 102]
- 2, 3, 4 [51, 76, 102]

(Specify size/type) **OUTLET**

- ___ IC Inside Caulk
- ___ NH No-Hub
- ___ NL Neo-Loc

E BODY HT. DIM.

- 5-1/4 [133]
- 5-1/4 [133]
- 4-5/8 [117]

PREFIXES

- ___ Z D.C.C.I. Body with Poly-Dome*
- ___ ZA D.C.C.I. Body with Aluminum Dome
- ___ ZC D.C.C.I. Body with Cast Iron Dome

SUFFIXES

- ___ -E Static Extension 1 [25] thru 4 [102] (Specify Ht.)
- ___ -EA Adjustable Extension Assembly 2-1/8 [54] thru 3-1/2 [89]
- ___ -G Galvanized Cast Iron
- ___ -R Roof Sump Receiver
- ___ -TC Neo-Loc Test Cap Gasket (2,3,4[51,76,102] NL Bottom Outlet Only)
- ___ -VP Vandal Proof Secured Top
- ___ -10 6 [152] High Parabolic Weir for Sloped Roof

* Regularly furnished unless otherwise specified.