



Z1201-N_4-111

EZCARRY™ ADJUSTABLE HORIZONTAL HIGH PERFORMANCE SIPHON JET NO-HUB WATER CLOSET CARRIER SYSTEM W/ 2 [51] N.P.T. AUXILIARY INLET W/ 1/8 BEND

SPECIFICATION SHEET

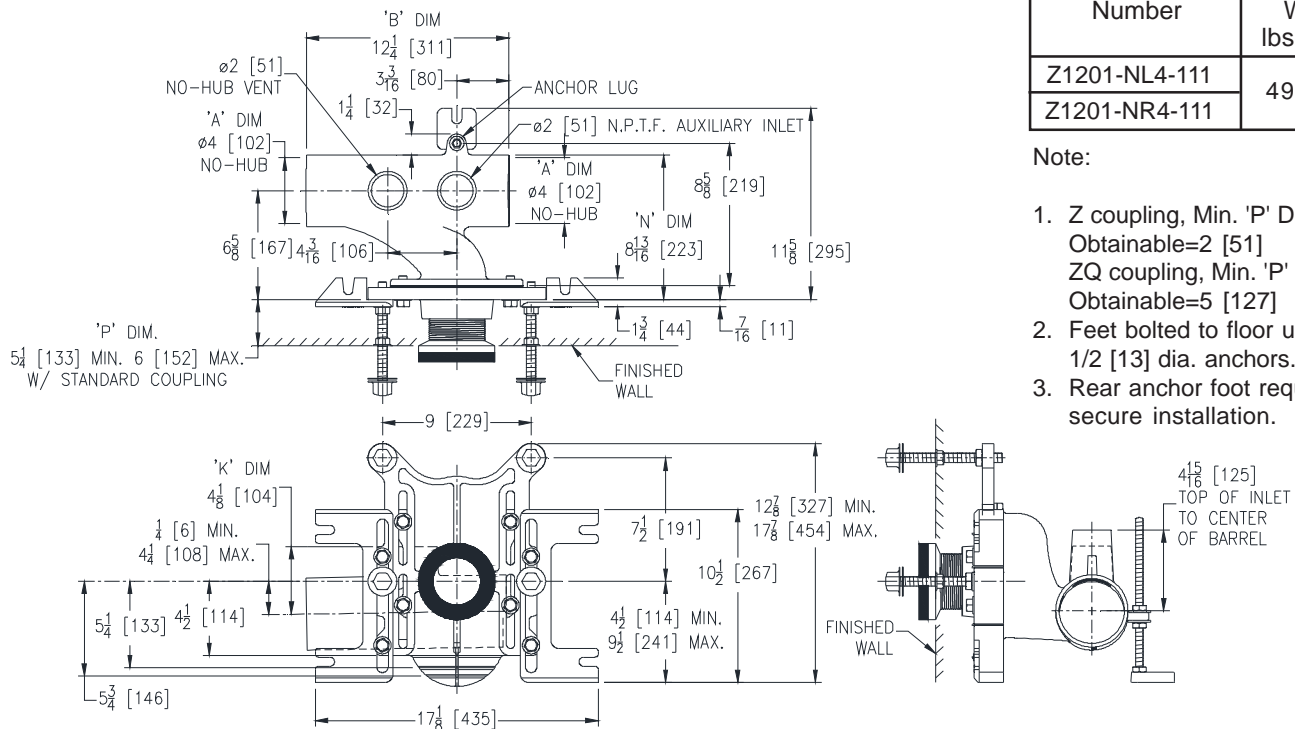
TAG _____

Dimensional Data (inches and [mm]) are Subject to Manufacturing Tolerances and Change Without Notice

Product Number	Approx. Wt. lbs [kg]
Z1201-NL4-111	49 [22]
Z1201-NR4-111	

Note:

1. Z coupling, Min. 'P' Dim. Obtainable=2 [51]
ZQ coupling, Min. 'P' Dim. Obtainable=5 [127]
2. Feet bolted to floor using min. 1/2 [13] dia. anchors.
3. Rear anchor foot required for secure installation.



Z1201-NR4-111 Illustrated

ENGINEERING SPECIFICATION: ZURN Z1201-N_4-111

EZCarry™ horizontal siphon jet water closet carrier system with high performance waterway and 4" [102mm] no-hub connections. System includes Dura-Coated cast iron main fitting with hydro-mechanically optimized sweep, 2" [51mm] female N.P.T. threaded auxiliary inlet with 1/8" [3mm] bend, and extended 2" [51mm] vent, adjustable gasketed faceplate, universal floor mounted pre-fab slotted foot supports, heavy-duty 1/2" [13mm] rear anchor tie down, fixture bolts, trim, stud protectors, bonded "Neo-Seal" gasket, and corrosion resistant, adjustable 3" [76mm] dia. X 6" [152mm] coupling with integral test cap designed to increase flow velocity and line carry. EZCarry system complies with the requirements of ASME A112.6.1M up to a 500 lbs [227 kg] static load rating.

OPTIONS (Check/specify appropriate options)

- ____ Z1201-NL4-111 4 [102] No-Hub Left Hand Inlet with Flow to Right
 ____ Z1201-NR4-111 4 [102] No-Hub Right Hand Inlet with Flow to Left

PREFIXES

- ____ Z D.C.C.I. System with Zurn ZZ Adjustable Coupling*
 ____ ZQ D.C.C.I. System with NPT Faceplate, Non-Adjustable Coupling

SUFFIXES

- | | | | |
|----------|---|-------------|---|
| ____ -A | Auxiliary Support Assembly (For 'P' Dim. Greater than 18 [457]) | ____ -F | Floor Mounted, Back Outlet Fixture Support |
| ____ -CC | Corrosion Resistant Cast Iron Coupling (2-1/4 [57] to 12 [305]) | ____ -G | Galvanized Cast Iron |
| ____ -CE | EZ-Set™ Coupling (Available 6 [152], 12 [305] or longer when specified. Minimum length=5 [127]) | ____ -M | Auxiliary Foot Support (for 'P' Dim. 10 thru 18 [254 thru 457]) |
| ____ -CL | Custom Length Standard Coupling with Integral Test Cap (Specify Length 4, 8, 10, 12 [102, 203, 254, 305]) | ____ -RYK | Unistrut Pre-Fab Foot Support |
| ____ -CS | 2-1/4 [57] Polymer Coupling with Integral Test Cap | ____ -RYK17 | One Piece Unistrut Pre-Fab Foot |
| | | ____ -VP | Vandal-Proof Trim |
| | | ____ -45 | Finishing Frame for Siphon Jet System |
| | | ____ -50 | Flush Valve Supply Support for Water Closets |

* Regularly furnished unless otherwise specified.

Zurn Industries, LLC | Specification Drainage Operation
 1801 Pittsburgh Avenue, Erie, PA U.S.A. 16502 · Ph. 855-663-9876, Fax 814-454-7929
 In Canada | Zurn Industries Limited
 3544 Nashua Drive, Mississauga, Ontario L4V 1L2 · Ph. 905-405-8272, Fax 905-405-1292
www.zurn.com

Rev. B
 Date: 09/06/16
 C.N. No. 135140
 Prod. | Dwg. No. Z1201-N_4-111