

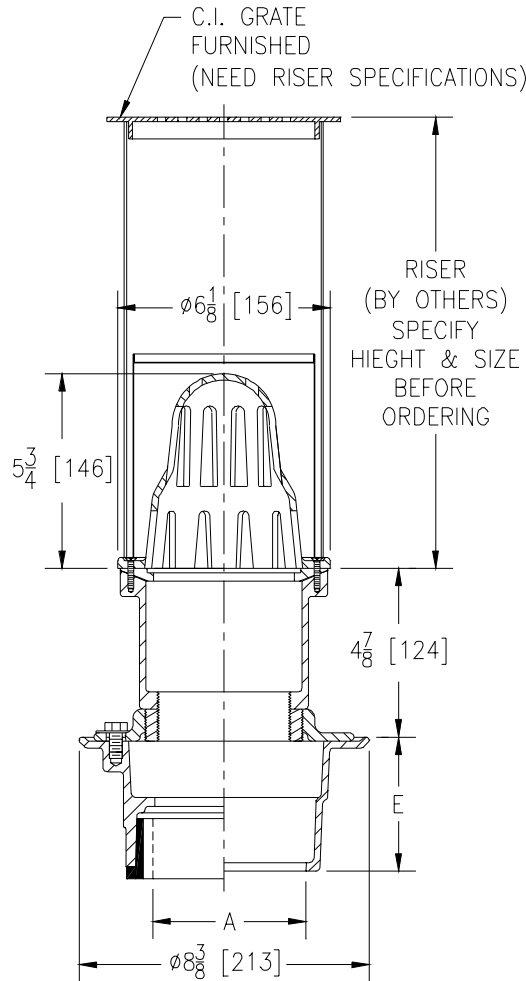


Z-415-117

BODY ASSEMBLY WITH RISER AND GRATE

TAG _____

Dimensional Data (inches and [mm]) are Subject to Manufacturing Tolerances and Change Without Notice



A - Pipe Size In.
2-3-4-6 [50-75-100-150]

ENGINEERING SPECIFICATION: ZURN Z-415-117 Dura-Coated cast iron lower body with bottom outlet, combination invertible membrane clamp, with ZRB-352 planting drain with high dome strainer with mesh screen, and grate.

OPTIONS (Check/specify appropriate options)

PIPE SIZE	(Specify size/type)	OUTLET	'E' BODY HT. DIM.
2 thru 4 [50 thru 100]	_____	IC Inside Caulk	3 7/8 [98]
2 [50]	_____	IP Threaded	2 3/8 [60]
3 [75]	_____	IP Threaded	2 5/8 [67]
4 [100]	_____	IP Threaded	2 7/8 [73]
6 [150]	_____	IP Threaded	2 3/4 [70]
2 thru 4 [50 thru 100]	_____	NH No-Hub	3 7/8 [98]
2 thru 4 [50 thru 100]	_____	NL Neo-Loc	4 5/8 [117]

PREFIXES

_____ Z- D.C.C.I. Lower Body *

REV.	DATE: 12/11/95	C.N. NO. 73653
DWG. NO. P-14271 PRODUCT NO. Z-415-117		

*REGULARLY FURNISHED UNLESS OTHERWISE SPECIFIED