



# Z712-HDS

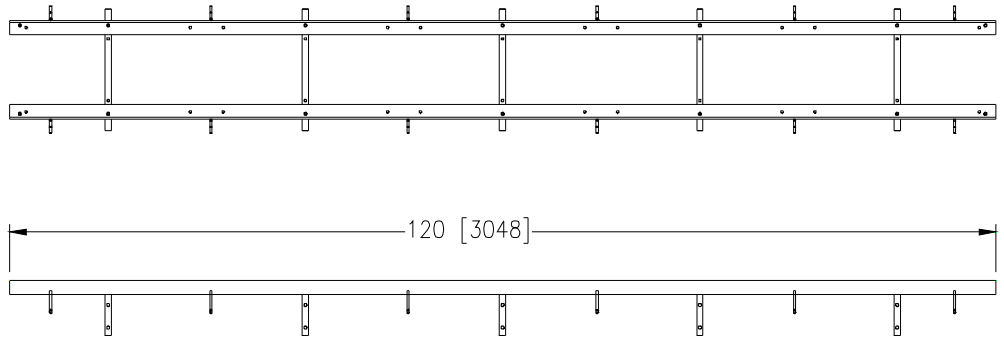
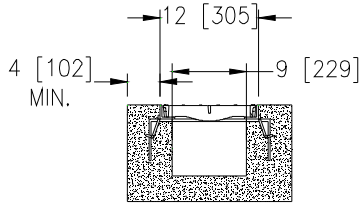
## 12 [305] WIDE REVEAL FRAME AND GRATE SYSTEM W/ STAINLESS STEEL FRAME

SPECIFICATION SHEET

TAG \_\_\_\_\_

Dimensional Data (inches and [ mm ]) are Subject to Manufacturing Tolerances and Change Without Notice

SPECIFYING ENGINEER IS RESPONSIBLE FOR CONCRETE ENCASEMENT AND REINFORCING BASED UPON APPLICATION AND LOCAL CODES



### ENGINEERING SPECIFICATION: Zurn Z712-HDS

Frame and Grate System shall be 120" [3048mm] long, 12" [305mm] wide reveal and have a 8-1/2" [216mm] clear opening. Shall mechanically lock into the concrete surround every 12" [305mm]. Shall be provided with the standard RFSC grates that lock down to the frame. Zurn 12" [305mm] wide reveal Stainless Steel Reinforced Slotted Grate conforming to ASTM specification A351, Grade CF8 (type 304), Fabricated grate is rated class C per the DIN EN1433 top load classification. Supplied in 24" [608mm] nominal lengths with 3/8" [10mm] wide slots, 1-1/2" [38mm] bearing depth. Grate has an open area of 20.2 sq. in. per ft [428 sq. cm per meter]. Tie down recesses provided for securing option. The 1/4" [6mm] thick Stainless Steel Frame Assembly conforms to ASTM specification A-240 (type 304) with 12 - 4" [102mm] long concrete anchors per 120" [3048mm]. Grate lockdown bars are integral to the frame. All welds must be performed by a certified welder per ASTM standard AWS D1.6. Frames Shall be produced in the USA.

### PREFIX OPTIONS (Check/specify appropriate options)

Z Ten-foot Heavy Duty Stainless Steel Frame \*

### SUFFIX OPTIONS (Check/specify appropriate options)

#### Grate Options (Load Classifications are per DIN EN1433)

- BDC Black Acid Resistant Epoxy Coated Ductile Grate - Class C
- BDE Black Acid Resistant Epoxy Coated Ductile Grate - Class E
- BDF Black Acid Resistant Epoxy Coated Ductile Grate - Class F
- DC Ductile Iron Solid Cover - Class C
- DGC Ductile Iron Slotted Grate - Class C
- DGE Ductile Iron Slotted Grate - Class E
- DGF Ductile Iron Slotted Grate - Class F
- GG Fiberglass Grate - Class A
- HPD Heel-Proof Ductile Slotted Grate - Class C
- HPDE Heel-Proof Ductile Slotted Grate - Class E
- RFSC Reinforced Slotted Stainless Steel Grate - Class C\*
- RPSC Reinforced Perforated Stainless Steel Grate - Class C
- RPSRC Reinforced Perforated Stainless Steel Reversed Punch Grate - Class C

#### Miscellaneous Options

- RC Rebar Clip (Set of 2)
- VP Vandal-Proof Lockdown

### MADE in the U.S.A.

- ADA-USA Meets Americans with Disabilities Act Requirements - Class C
- BDE Black Acid Resistant Epoxy Coated Ductile Grate - Class E
- DGC-USA Ductile Iron Slotted Grate - Class C
- DGE-USA Ductile Iron Slotted Grate - Class E
- FS Fabricated Stainless Steel Slotted Grate - Class A
- HPDE-USA Heel-Proof Ductile Slotted Grate - Class E
- PS Perforated Stainless Steel Grate - Class A
- SBG-L Stainless Steel Bar Grate - Class C

\* Regularly furnished unless otherwise specified.