



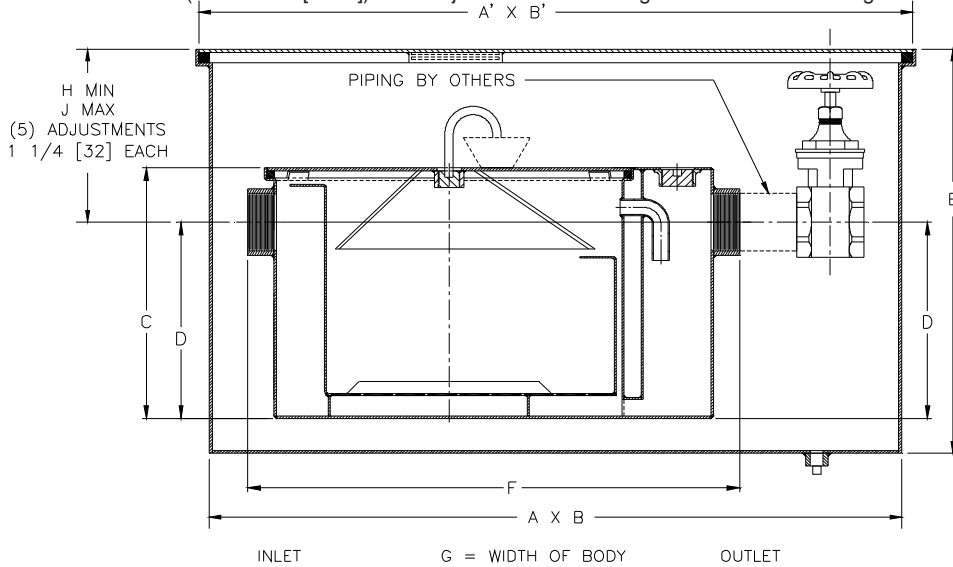
# Z1173-TD-90

GREASE INTERCEPTOR WITH GREASE ACCUMULATING CONE, INLINE SHUTOFF VALVE, AND RECESSING RECEIVER WITH DRAIN PORT

SPECIFICATION SHEET

TAG \_\_\_\_\_

Dimensional Data (inches and [ mm ]) are Subject to Manufacturing Tolerances and Change Without Notice



Size	Inlet/Outlet Size**	Flow Rate G.P.M. [L.P.M.]	Capacity		Approx. Wt. Lbs. [kg]
			Water Gal. [L.]	Grease Lbs. [kg]	
200	2[51]	7 [26]	5 [19]	14 [6]	138 [63]
300	2[51]	10 [38]	6 [23]	20 [9]	163 [74]
400	3[76]	15 [57]	10 [38]	30 [14]	190 [86]
500	3[76]	20 [76]	16 [61]	40 [18]	215 [98]

Size	Inlet/Outlet Size**	Flow Rate G.P.M. [L.P.M.]	Capacity		Approx. Wt. Lbs. [kg]
			Water Gal. [L.]	Grease Lbs. [kg]	
600	3[76]	25 [95]	21 [79]	50 [23]	251 [114]
700	3[76]	35 [132]	30 [114]	70 [32]	290 [132]
800	3[76]	50 [189]	40 [151]	100 [45]	330 [150]
900	3[76]	75 [284]	65 [246]	150 [68]	372 [169]

Dimensions in Inches [mm]											
Size	A	A'	B	B'	C	D	E	F	G	H	J
200	36-3/4[933]	38-3/4[984]	15-3/8[391]	17-3/8[441]	11-1/4[286]	8-1/8[206]	20-1/4[514]	21-3/4[552]	11-7/8[302]	5-1/8[130]	11-3/8[289]
300	40-1/8[1019]	42-1/8[1070]	17-1/2[445]	19-1/2[495]	11-3/4[298]	8-1/4[210]	20-3/4[527]	25-1/8[638]	14-[356]	5-1/2[140]	11-3/4[298]
400	42-1/8[1070]	44-1/8[1121]	20[508]	22[559]	13-3/8[340]	9-3/8[238]	22-3/8[568]	27-1/8[689]	16-3/4[425]	6[152]	12-1/4[311]
500	45[1143]	47[1194]	20-3/4[527]	22-3/4[578]	15[381]	11-3/4[298]	24[610]	30[762]	17-1/4[438]	5-1/4[133]	11-1/2[292]
600	47-1/4[1200]	49-1/4[1251]	23-1/4[591]	25-1/4[641]	17[432]	12-1/2[318]	25-3/4[654]	32-1/4[819]	19-7/8[505]	6-1/2[165]	12-3/4[324]
700	49-1/8[1248]	51-1/8[1299]	26[660]	28[711]	18-3/4[476]	14-1/4[362]	27-3/4[705]	34-1/8[867]	22-1/2[572]	6-1/2[165]	12-3/4[324]
800	51[1295]	53[1346]	28[711]	30[762]	21-1/2[546]	16[406]	30-1/2[775]	36[914]	24-1/2[622]	7-1/2[191]	13-3/4[349]
900	51[1295]	53[1346]	32[813]	34[864]	22-3/4[578]	18-1/2[470]	31-3/4[806]	36[914]	28-5/8[727]	6-1/4[159]	12-1/2[318]

**ENGINEERING SPECIFICATION: ZURN Z1173-TD-90**

Acid Resistant Coated interior and exterior fabricated steel grease interceptor, rated at \_\_\_\_ GPM and \_\_\_\_ Lbs. grease capacity, with internal air relief by-pass, bronze cleanout plug and visible double wall trap seal with removable combination pressure equalizing/flow diffusing baffle and sediment tray. Gasketed non-skid secured cover with draw off port having bronze plug, grease accumulating cone, NPT to hose adaptor, 24" [610mm] flexible hose, hose clamp, and an in line closure valve. Complete with Acid Resistant Coated interior and exterior fabricated steel recessing receiver, enclosed type, with adjustable support brackets, 3/4" [19mm] Bronze Raised Head Drain Plug, and gasketed non-skid cover with covered recessed lift handle and Z-1108 Flow Control Fitting. Regularly furnished inlet and outlet in high position. Note: Location of outlet from bottom of interceptor cannot be changed.

**PREFIXES**

\_\_\_\_ Z Acid Resistant Coated Fabricated Steel\*

**SUFFIXES**

\_\_\_\_ -L Angle type (Z-1108-L) flow control device with plunger (no additional charge).

\* Regularly furnished unless otherwise specified.