



ZEN1201-H_4

ELONGATED BARREL FITTING FOR NARROW WALL WITH 9-1/2[241] FRONT TO BACK EZCARRY® ADJUSTABLE HORIZONTAL HIGH PERFORMANCE SIPHON JET HUB & SPIGOT WATER CLOSET CARRIER SYSTEM

SPECIFICATION SHEET

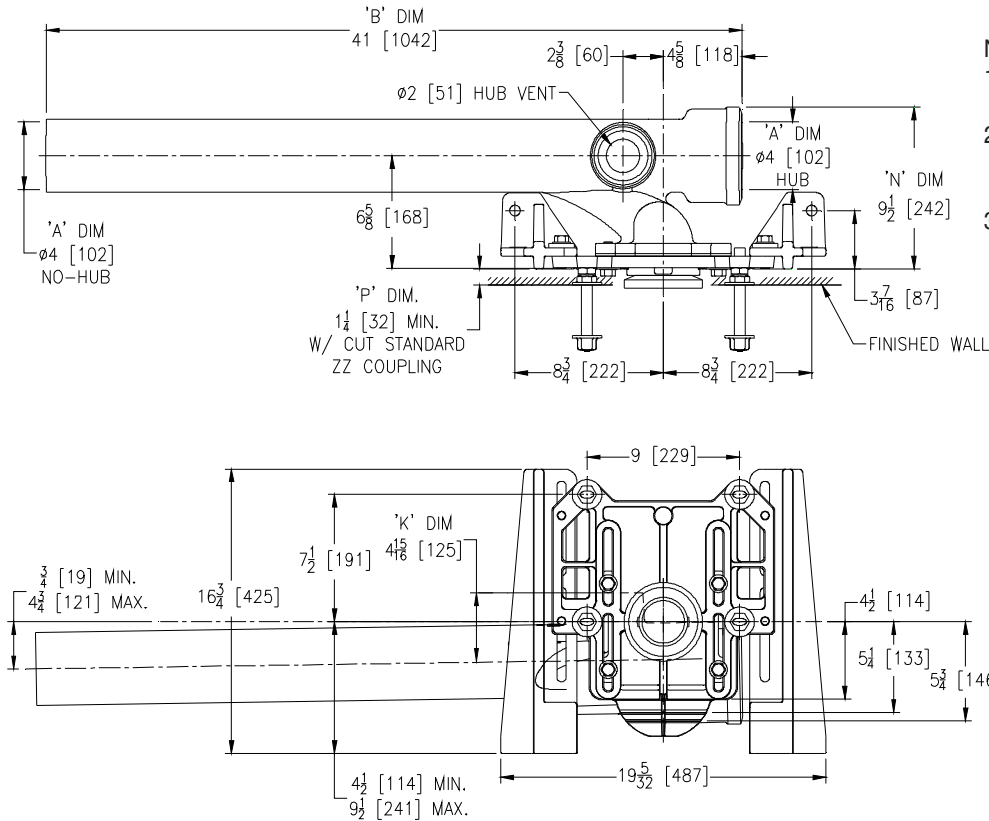
TAG _____



Dimensional Data (inches and [mm]) are Subject to Manufacturing Tolerances and Change Without Notice

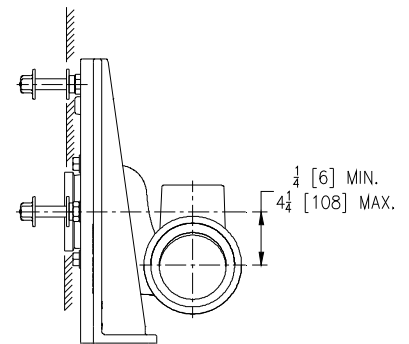
ZEN1201-HR4 Illustrated

Product Number	Approx. Wt. lbs [kg]
ZEN1201-HL4	80 [36]
ZEN1201-HR4	



Note:

1. Cut ZZ Coupling, Min. 'P' Dim. Obtainable = 1-1/4 [32]
2. Carrier floor anchors must each be able to withstand a pull-out force of 1741 lbs [790 kg].
3. Pull-out forces are calculated values with standard coupling assembly. No safety factor has been applied. See Form # C38 for more information.



ENGINEERING SPECIFICATION: ZURN ZEN1201-H_4

EZCarry® Narrow Wall horizontal siphon jet water closet carrier system, with high performance Dura-Coated cast iron main fitting with hydro-mechanically optimized sweep, 4" [102 mm] hub & spigot connections, and extended 2" [51 mm] vent. Corrosion resistant, adjustable 3" [76 mm] dia. X 6" [152 mm] coupling with integral test cap, designed to increase flow velocity and line carry, and labor saving "Neo-Seal" bonded gasket optimizes flow performance while reducing installation steps. Complete system includes an adjustable, gasketed faceplate; floor mounted foot supports; fixture bolts, trim, and stud protectors. EZCarry® narrow wall system complies with all applicable requirements of ASME A112.6.1M up to a 500 lbs [227 kg] maximum static load.

OPTIONS (Check/specify appropriate options)

- ____ ZEN1201-HL4 4 [102] Hub & Spigot Left Hand Inlet with Flow to Right
- ____ ZEN1201-HR4 4 [102] Hub & Spigot Right Hand Inlet with Flow to Left

PREFIXES

- ____ Z D.C.C.I. System with Zurn ZZ Adjustable Coupling*

SUFFIXES

- ____ -CC Corrosin Resistant Cast Iron Coupling (2-1/4 to 12 [57 to 305])
- ____ -CS 2-1/4 [57] Polymer Coupling with Integral Test Cap
- ____ -G Galvanized Cast Iron
- ____ -JC 2 [51] Auxiliary Inlet with 1/8 [3] Blend
- ____ -VP Vandal-Proof Trim
- ____ -50 Flush Valve Supply Support for Water Closets

* Regularly furnished unless otherwise specified.