

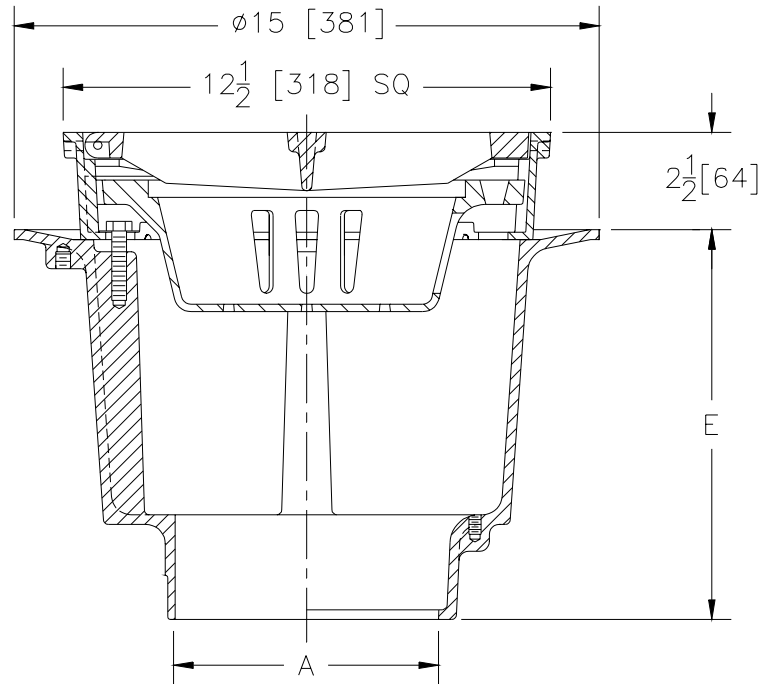


Z-610-87

12" [305] HEAVY DUTY DRAIN WITH HINGED GRATE

TAG _____

Dimensional Data (inches and [mm]) are Subject to Manufacturing Tolerances and Change Without Notice



A- Pipe Size In.	Approx. Wt. Lbs. [kg]	Grate Open Area Sq. In. [cm ²]
2-3-4-5-6 [50-75-100-125-150]	79 [36]	40 [258]
8-10 [200-250]	75 [34]	

ENGINEERING SPECIFICATION: ZURN Z-610-87 12 [305] Square top drain, Dura-Coated cast iron deep sump body with bottom outlet, seepage pan and combination membrane flashing clamp and frame for heavy duty cast iron hinged grate, with suspended sediment bucket.

OPTIONS (Check/specify appropriate options)

PIPE SIZE

3 thru 6 [50 thru 150]
3 thru 6, 8 [50 thru 150, 200]

(Specify size/type) **OUTLET**

_____ IC Inside Caulk
_____ NH No-Hub

'E' BODY HT. DIM.

10 [254]
10 [254]

PREFIXES

- _____ Z- D.C.C.I. Body and Grate*
- _____ ZB- D.C.C.I Body w/Polished Bronze Top (Add 3/16 [5] to 2 1/2 [64] Dim. and 3/4 [19] to 12 1/2 [318] Dim.)
- _____ ZN- D.C.C.I Body w/Polished Nickel Bronze Top (Add 3/16 [5] to 2 1/2 [64] Dim. and 3/4 [19] to 12 1/2 [318] Dim.)

SUFFIXES

- _____ -AR Acid Resistant Epoxy Coated Finish
- _____ -DG Duresist Grate
- _____ -DX Dex-o-tex Flange
- _____ -G Galvanized Cast Iron
- _____ -HL Hinged Locking Grate
- _____ -P Trap Primer Connection
- _____ -S Secondary Strainer
- _____ -SS Stainless Steel Mesh Screen Over Dome
- _____ -TS Top Secured with Slotted Screws
- _____ -V Backwater Valve (See Z-1099)
- _____ -VP Vandal Proof Secured Top
- _____ -YA Aluminum Sediment Bucket
- _____ -90 90° Threaded Side Outlet Body

REV. A	DATE: 07/22/96	C.N. NO. 75370
DWG. NO. P-14298 PRODUCT NO. Z-610-87		

*REGULARLY FURNISHED UNLESS OTHERWISE SPECIFIED