



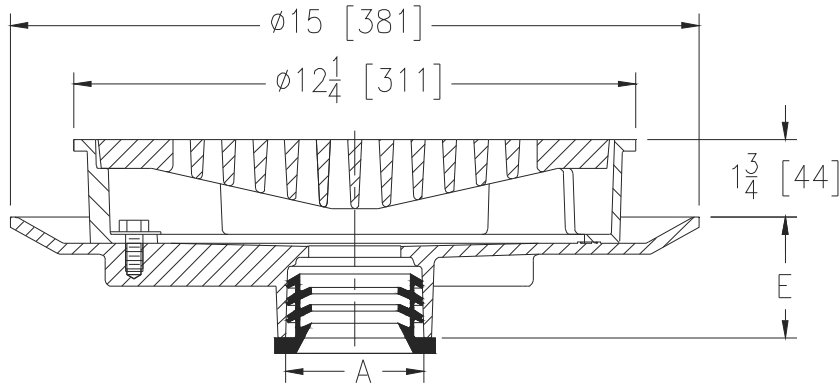
Z504-87

12[305] HEAVY-DUTY DRAIN
WITH 2 [51] NEO-LOC GASKET OUTLET

SPECIFICATION SHEET

TAG _____

Dimensional Data (inches and [mm]) are Subject to Manufacturing Tolerances and Change Without Notice



| A - Pipe Size In. [mm] | Approx. Wt. Lbs.[kg] | Grate Open Area Sq. In. [cm ²] |
|---------------------------|----------------------------|--------------------------------------------------|
| 2 [51] | 32 [15] | 30 [194] |

ENGINEERING SPECIFICATION: ZURN Z504-87

12" [305 mm] Diameter top drain Dura-Coated cast iron body with 2" [51 mm] neo-loc gasket bottom outlet, seepage pan and combination membrane flashing clamp and frame for heavy duty deep flange slotted grate.

OPTIONS (Check/specify appropriate options)

| | | |
|----------------------------|------------------------------------------------------|----------------------------------------|
| PIPE SIZE 2 [51] | (Specify size/type) OUTLET ____ NL Neo-Loc | 'E' BODY HT. DIM. 2-5/8 [67] |
|----------------------------|------------------------------------------------------|----------------------------------------|

PREFIXES

- ____ Z D.C.C.I. Body and Top*
- ____ ZB D.C.C.I. Body with Polished Bronze Top (Add 3/16 [5] to 2 [51] Dim. and 3/4 [20] to 12-1/4 [311] Dim.)
- ____ ZN D.C.C.I. Body with Polished Nickel Bronze Top (Add 3/16 [5] to 2 [51] Dim. and 3/4 [20] to 12-1/4 [311] Dim.)

SUFFIXES

- | | |
|----------------------------------------------------------|-------------------------------------------------------|
| ____ -AR Acid Resisting Epoxy Coated Cast Iron | ____ -HT Square Hinged Grate |
| ____ -D Dome Grate | ____ -P Trap Primer Connection |
| ____ -DG Duresist Grate | ____ -S Secondary Strainer |
| ____ -F Extension Frame (Specify Total Height Req'd.) | ____ -SC Solid Cover |
| ____ -G Galvanized Cast Iron | ____ -T Square Top (Add 7/16 [11] to 1-3/4 [44] dim.) |
| ____ -H Hinged Grate | ____ -TS Top Secured with Slotted Screws |
| ____ -HP Heel-Proof Grate | ____ -V Backwater Valve (See Z1099) |
| | ____ -VP Vandal-Proof Secured Top |
| | ____ -Y Sediment Bucket |

* Regularly furnished unless otherwise specified.