

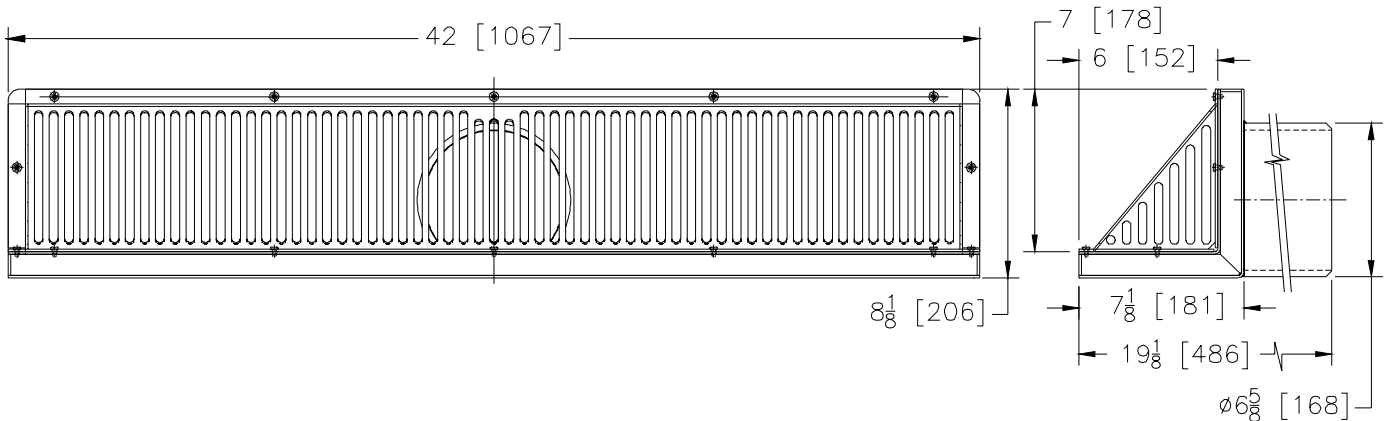


**Z187-89**  
**7 X 6 X 42 [179 X 152 X 1067]**  
**SCUPPER DRAIN**

SPECIFICATION SHEET

TAG \_\_\_\_\_

Dimensional Data (inches and [ mm ]) are Subject to Manufacturing Tolerances and Change Without Notice



A Pipe Size	Approx. Wt. Lbs. [kg]	Grate Open Area Sq. In. [cm <sup>2</sup> ]
6 [152]	13 [6]	181 [1168]

**ENGINEERING SPECIFICATION: ZURN Z187-89**

7 x 6 x 42 [179 x 152 x 1067] Scupper drain, stainless steel body with horizontal outlet, and oblique vandal-proof, secured stainless steel grate.

**OPTIONS** (Check/specify appropriate options)

**PIPE SIZE**

6 [152]

**OUTLET**

\_\_\_\_\_ BW Butt weld

**PREFIXES**

- \_\_\_\_\_ ZS Type 304 (CF8) stainless steel\*
- \_\_\_\_\_ ZM Type 316 (CF8M) stainless steel
- \_\_\_\_\_ ZL Type 316L (CF3M) stainless steel

**SUFFIXES**

- \_\_\_\_\_ -BS Bronze Mesh Screen Over Grate
- \_\_\_\_\_ -FG Flush Grate
- \_\_\_\_\_ -TS Top Secured with Slotted Screws

REV.	DATE: 10/29/04	C.N. NO. 92688
DWG. NO. P-15092	PRODUCT NO. Z187-89	

\*REGULARLY FURNISHED UNLESS OTHERWISE SPECIFIED