



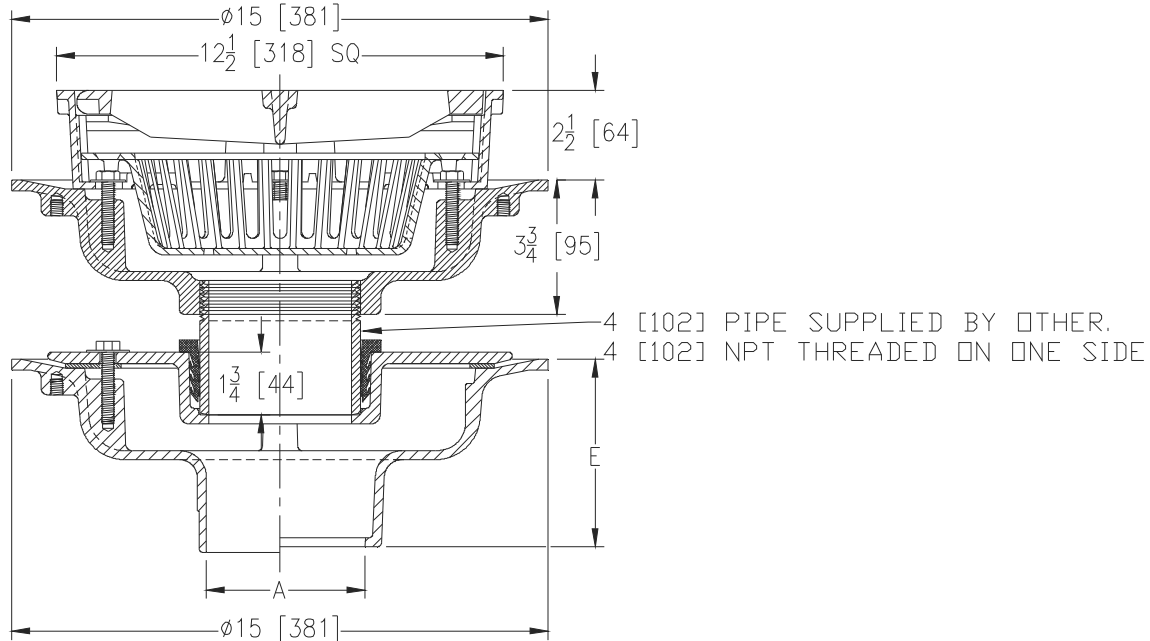
Z610-127

12 [305] HEAVY-DUTY DRAIN WITH ISOLATION DECK DRAIN

SPECIFICATION SHEET

TAG _____

Dimensional Data (inches and [mm]) are Subject to Manufacturing Tolerances and Change Without Notice



A Pipe Size	Approx. Wt. Lbs. [kg]	Grate Open Area Sq. In. [cm ²]
2-3-4-5-6 [51-76-102-127-152]	84 [38]	42 [271]
8-10 [203-254]	86 [39]	

ENGINEERING SPECIFICATION: ZURN Z610-127
12 [305] Square top drain, Dura-Coated cast iron body with bottom outlet, seepage pan and combination membrane flashing clamp and frame for heavy-duty cast iron loose slotted grate, with suspended polypropylene sediment bucket, and isolation deck drain.

OPTIONS (Check/specify appropriate options)

PIPE SIZE

- 2-3-4-5-6 [51-76-102-127-152]
- 2-3-4-6 [51-76-102-152]
- 2-3-4-5-6 [51-76-102-127-152]
- 2-3-4-5-6 [51-76-102-127-152]
- 2-3-4 [51-76-102]

(Specify size/type) **OUTLET**

- ___ IC Inside Caulk
- ___ IG Inside Gasket
- ___ IP Threaded
- ___ NH No-Hub
- ___ NL Neo-Loc

'E' BODY HT. DIM.

- 5-1/4 [133]
- 5-1/4 [133]
- 3-3/4 [95]
- 5-1/4 [133]
- 4-5/8 [117]

PREFIXES

- ___ Z D.C.C.I. Body and Top*
- ___ ZB D.C.C.I Body w/Polished Bronze Top (Add 3/16 [5] to 2-1/2 [64] Dim. and 3/4 [19] to 12-1/2 [318] Dim.)
- ___ ZN D.C.C.I Body w/Polished Nickel Bronze Top (Add 3/16 [5] to 2-1/2 [64] Dim. and 3/4 [19] to 12-1/2 [318] Dim.)

SUFFIXES

- ___ -AR Acid Resistant Epoxy Coated Cast Iron
- ___ -C Underdeck Clamp (Lower Body)
- ___ -DG Duresist Grate
- ___ -DS Ductile Iron Solid Cover
- ___ -DX Dex-o-tex Flange (ZB, ZN Only)
- ___ -F 2 [51] High Extension
- ___ -G Galvanized Cast Iron
- ___ -H Hinged Grate
- ___ -HC Hinged Solid Cover
- ___ -HL Hinged Locking Grate
- ___ -HLC Hinged Locking Cover
- ___ -LY (Less) Sediment Bucket
- ___ -P Trap Primer Connection
- ___ -S Secondary Strainer
- ___ -R Sump Receiver (Lower Body)
- ___ -SC Solid Cover
- ___ -SS Stainless Steel Mesh Liner for Bucket
- ___ -TS Top Secured with Slotted Screws
- ___ -V Backwater Valve (See Z1099)
- ___ -VP Vandal-Proof Secured Top
- ___ -YA Aluminum Sediment Bucket
- ___ -YC Cast Iron Sediment Bucket

* Regularly furnished unless otherwise specified.