



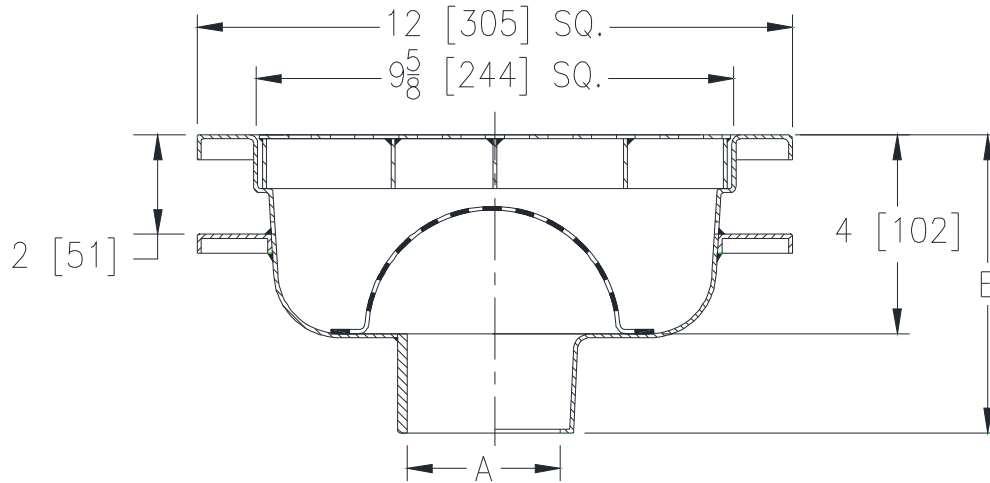
Z1749-K

12 X 12 [305 X 305] SANI-FLOR RECEPTOR WITH 4 [102] SUMP DEPTH AND ANCHOR FLANGE

SPECIFICATION SHEET

TAG _____

Dimensional Data (inches and [mm]) are Subject to Manufacturing Tolerances and Change Without Notice



A - Pipe Size In. [mm]	Approx. Wt. Lbs. [kg]	Grate Open Area Sq. In. [cm ²]
2, 3, 4 [51, 76, 102]	15 [7]	23 [148]

Engineering Specification: ZURN Z1749-K

12" x 12" x 4" [305mm x 305mm x 102mm] deep, 16 gage, All Type 304 (CF8) Stainless Steel light-duty Sani-Flor receptor with non-tilt, loose set full grate with 1/2" [13mm] square openings, anti-splash stainless steel interior dome strainer, and anchor flange.

Options (Check/specify appropriate options)

PIPE SIZE

2, 3, 4 [51, 76, 102]

2, 3, 4 [51, 76, 102]

(Specify size/type) **OUTLET**

___ NH No-Hub

___ NL Neo-Loc

'E' BODY HT. DIM.

6-1/16 [154]

5-13/16 [148]

PREFIXES

- ___ Z Type 304 (CF8) Stainless Steel Body*
- ___ ZM Type 316 (CF8M) Stainless Steel

SUFFIXES

- ___ -DX Dex-o-tex Flange
- ___ -HD Extra Heavy Duty Top Frame & Grate
- ___ -HP Heel-Proof Grate
- ___ -SG Solid Gasketed Cover
- ___ -TC Neo-Loc Test Cap Gasket (2, 3, 4 [51, 76, 102] NL Bottom Outlet Only)
- ___ -VP Vandal-Proof Secured Top
- ___ -Y Sediment Bucket
- ___ -YS Suspended Sediment Bucket
- ___ -1 (Less) Grate
- ___ -2 1/2 Grate
- ___ -3 3/4 Grate
- ___ -4 Full Grate w/ 3 [76] Square Opening
- ___ -5 Grate w/ 4 [102] dia. x 3-3/4 [95] High Funnel
- ___ -8 Grate w/ 8-3/8 x 3-5/8 x 3-3/4 [213 x 92 x 95] High Oval Funnel
- ___ -15 Solid Cover
- ___ -16 1/2 Solid Cover
- ___ -19 Full Hinged Grate
- ___ -20 Full Hinged Cover

* Regularly furnished unless otherwise specified.