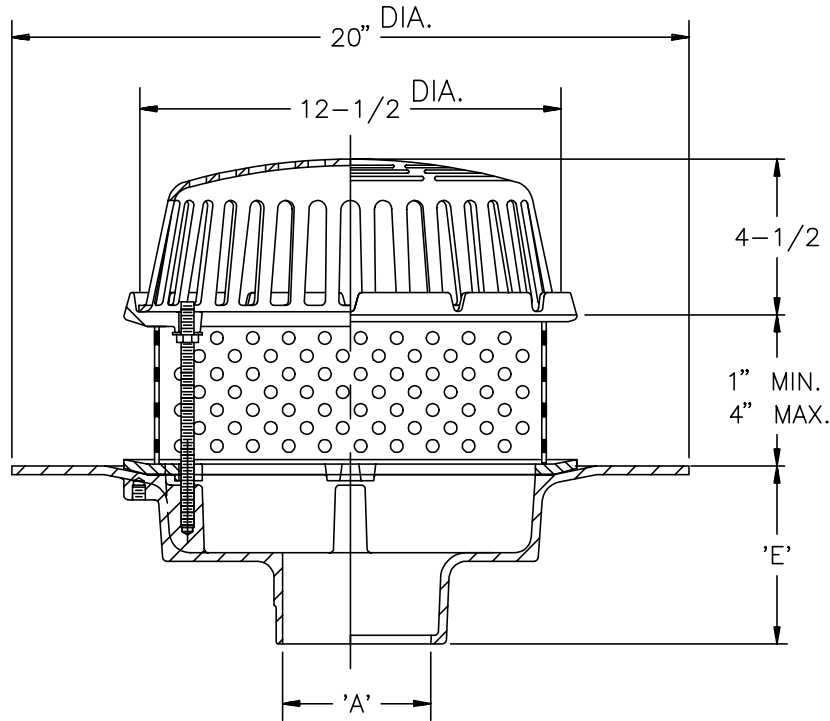




Z-107-77 20" WIDE DECK FLANGE ROOF DRAIN WITH PERFORATED EXTENSION

TAG _____

Dimensions Subject to Manufacturing Tolerances



A- Pipe Size In.	Approx. Wt. Lbs.	Dome Open Area Sq. In.
3-4	39	103
6-8		

ENGINEERING SPECIFICATION: ZURN Z-107-77 20" Diameter wide deck flange roof drain with perforated extension. Dura-Coated cast iron body, clamping collar, secondary clamping collar, perforated extension and low silhouette Poly-Dome strainer.

OPTIONS (Check/specify appropriate options)

PREFIXES

- _____ **Z-** D.C.C.I. Body with Poly-Dome*
- _____ **ZA-** D.C.C.I. Body with Aluminum Dome
- _____ **ZC-** D.C.C.I. Body with Cast Iron Dome
- _____ **ZRB-** D.C.C.I. Body with Plain Bronze Dome

SUFFIXES

- _____ **-AC** Angular Underdeck Clamp
- _____ **-AW** 3/4" to 4" Adjustable Water Level Regulator (Previously Z-103-1)
- _____ **-BS** Bronze Mesh Screen Over Dome
- _____ **-C** Underdeck Clamp
- _____ **-E** Static Extension 1" thru 4" (Specify Height)
- _____ **-EA** Adjustable Extension Assembly 1-3/4" thru 3-1/2"
- _____ **-G** Galvanized Cast Iron
- _____ **-GD** Galvanized Cast Iron Dome
- _____ **-SS** Stainless Mesh Screen Over Dome
- _____ **-VP** Vandal Proof Secured Top
- _____ **-W2** 2" Internal Water Dam (Previously Z-103)
- _____ **-W3** 3" Internal Water Dam " "
- _____ **-W4** 4" Internal Water Dam " "
- _____ **-XJ** Vertical Expansion Joint (See Z-190)
- _____ **-84** Stainless Steel Perforated Gravel Guard
- _____ **-85** Stainless Steel Perforated Extension
- _____ **-89** 2" High External Water Dam

OUTLET (Specify type)

- _____ **IC** Inside Caulk
- _____ **IG** Inside Caulk w/Sealtrol Gskt.
- _____ **NH** No-Hub

PIPE SIZE (Specify size)

- _____ 3", 4", 6"
- _____ 3", 4", 6"
- _____ 3", 4", 6", 8"

'E' BODY HT. DIMENSION

- 5-1/4"
- 5-1/4"
- 5-1/4"

*REGULARLY FURNISHED UNLESS OTHERWISE SPECIFIED

REV. B DATE: 6/16/92 C.N. NO. 68363

DWG. NO. P-13712 PRODUCT NO. Z-107-77