

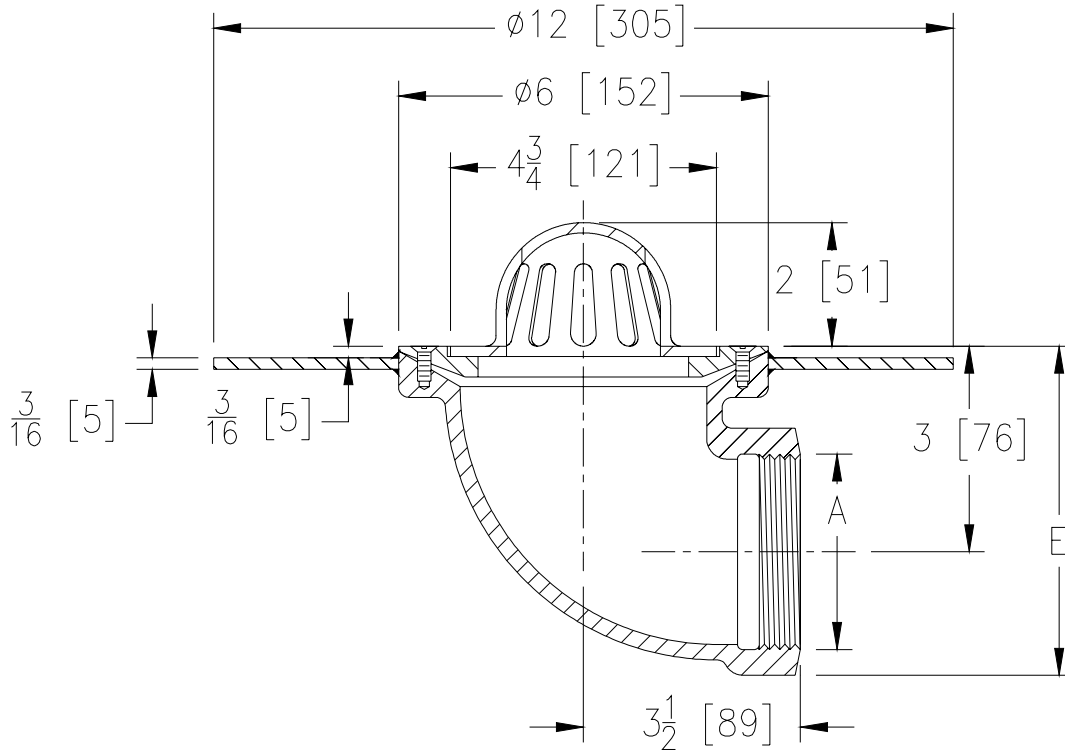


**Z185-76**  
**6 [152] DIAMETER CORNICE DRAIN**  
**90° OUTLET W/ DEX-O-TEX FLANGE**

SPECIFICATION SHEET

TAG \_\_\_\_\_

Dimensional Data (inches and [mm]) are Subject to Manufacturing Tolerances and Changes Without Notice



A- Pipe Size In.	Approx. Wt. Lbs. [kg]	Dome Open Area Sq. In. [cm <sup>2</sup> ]
3 [76]	8 [4]	12 [72]
4 [102]	10 [4]	

**ENGINEERING SPECIFICATION: ZURN ZRB185-76**  
 6 [152] Diameter Cornice drain, Dura-Coated cast iron 90° side outlet body with Dex-o-tex flange, plain bronze dome and membrane flashing clamp.

**OPTIONS** (Check/specify appropriate options)

**PIPE SIZE**

3 [76]  
 4 [102]

(Specify size) **OUTLET**

\_\_\_ IP Threaded  
 \_\_\_ IP Threaded

**'E' BODY HT. DIM.**

5 1/8 [130]  
 5-5/8 [143]

**PREFIXES**

\_\_\_ ZRB D.C.C.I. Body with Plain Bronze Dome\*  
 \_\_\_ ZB D.C.C.I. Body with Polished Bronze Dome  
 \_\_\_ ZN D.C.C.I. Body with Polished Nickel Bronze Dome

**SUFFIXES**

\_\_\_ -FS Flat Strainer (ZB or ZN)  
 \_\_\_ -G Galvanized Cast Iron  
 \_\_\_ -HD 5 3/4 [146] High Dome  
 \_\_\_ -VP Vandal-Proof Secured Top  
 \_\_\_ -45 45° Side Outlet Body

REV. DATE: 5/26/05 C.N. NO. 93488

DWG. NO. P-15157 PRODUCT NO. Z185-76

\*REGULARLY FURNISHED UNLESS OTHERWISE SPECIFIED

ZURN INDUSTRIES, INC. ♦ SPECIFICATION DRAINAGE OPERATION ♦ 1801 Pittsburgh Ave. ♦ Erie, PA 16514

Phone: 814/455-0921 ♦ Fax: 814/454-7929 ♦ World Wide Web: www.zurn.com

In Canada: ZURN INDUSTRIES LIMITED ♦ 3544 Nashua Drive ♦ Mississauga, Ontario L4V1L2 ♦ Phone: 905/405-8272 Fax: 905/405-1292