

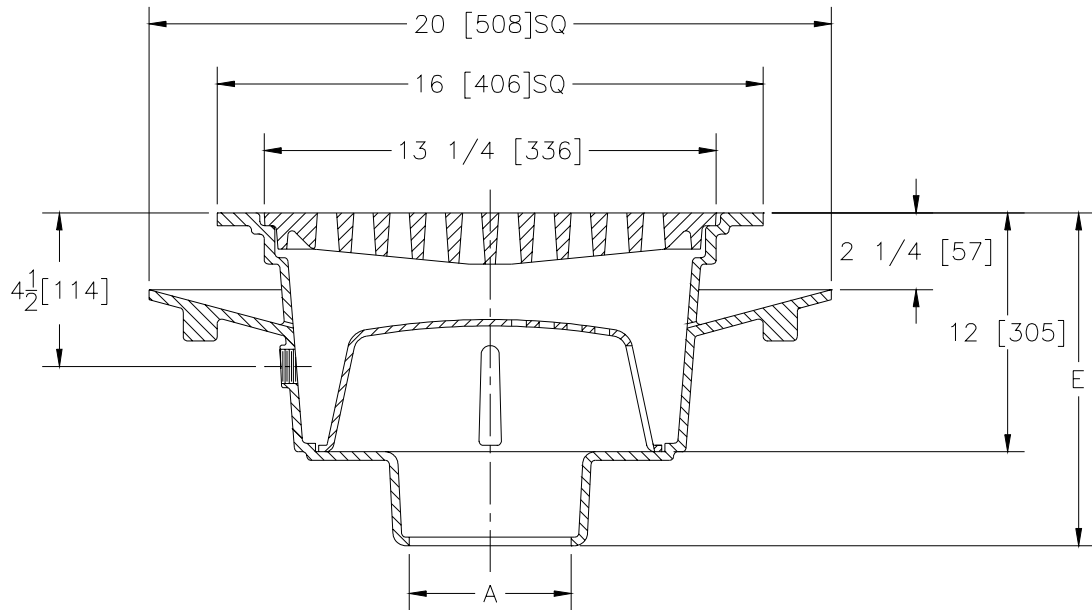


# Z-1926-P

## 16" X 16" [406 X 406] A.R.C. SANI-FLOR RECEPTOR 12" [305] SUMP DEPTH

TAG \_\_\_\_\_

Dimensional Data (inches and [ mm ]) are Subject to Manufacturing Tolerances and Change Without Notice



A- Pipe Size In.	Approx Wt. Lbs. [kg]	Grate Open Area Sq. In. [cm <sup>2</sup> ]
2-3-4-6 [50-75-100-150]	150 [68]	54 [348]

**ENGINEERING SPECIFICATION:** ZURN Z-1926-P Sani-Flor Receptor 16 x 16 x 12 [406 x 406 x 305] deep cast iron body with 1/2 [13] trap primer connection, seepage flange and square slotted heavy duty grate, with white acid resisting porcelain enamel interior and top, complete with aluminum anti-splash interior bottom dome strainer.

**OPTIONS** (Check/specify appropriate options)

<b>PIPE SIZE</b>	(Specify size/type)	<b>OUTLET</b>	<b>'E' BODY HT. DIMENSION</b>
		<b>Z</b>	<b>ZN</b>
2, 3, 4, 6 [50, 75, 100, 150]	_____ IC	Inside Caulk	14 7/8 [378]      15 1/8 [384]

**PREFIXES**

- \_\_\_\_\_ Z- Cast Iron Body with White A.R.C. Interior\*
- \_\_\_\_\_ ZN- Cast Iron Body with White A.R.C. Interior, 16 1/2 [419] Square N.B. Frame and Full Grate (Add 3/4 [19] to 16 [406] Dim. and 3/16 [5] to 'E' Dim.)

**SUFFIXES**

- |   |   |
|---|---|
| _____ -C Clamping Collar  | _____ -16 1/2 Solid Loose Set Cover             |
| _____ -LD (Less) Internal Bottom Dome Strainer                          | _____ -17 3/4 Solid Loose Set Cover             |
| _____ -1 (Less) Grate   | _____ -18 Solid Loose Set Cover                 |
| _____ -2 1/2 Grate  | _____ With 2 [51] Square Center Opening         |
| _____ -3 3/4 Grate  | _____ -23 Aluminum Bucket                       |
| _____ -4 Full Grate With 2 [51] Square Opening                          | _____ -25 White A.R.E. Bucket                   |
| _____ -5 Grate w/4 [102] Dia. x 3 3/4 [95] High Funnel                  | _____ -31 Stainless Steel Mesh Liner for Bucket |
| _____ -6 Grate w/6 [152] Dia. x 6 [152] High Funnel                     | _____ -33 White A.R.E. Anti-Splash Bottom       |
| _____ -7 Grate w/6 3/4 x 3 x 1 [171 x 76 x 25] High Oval Funnel         | _____ Dome Strainer                             |
| _____ -8 Grate w/8 7/8 x 3 5/8 x 3 3/4 [225 x 92 x 95] High Oval Funnel |   |
| _____ -11 Vandal Proof Secured Grate                                    |   |
| _____ -15 Solid Loose Set Cover   |   |

<b>REV.</b>	<b>DATE: 11/28/95</b>	<b>C.N. NO. 73533</b>
<b>DWG. NO. 60045</b>	<b>PRODUCT NO. Z-1926-P</b>	

\*REGULARLY FURNISHED UNLESS OTHERWISE SPECIFIED