



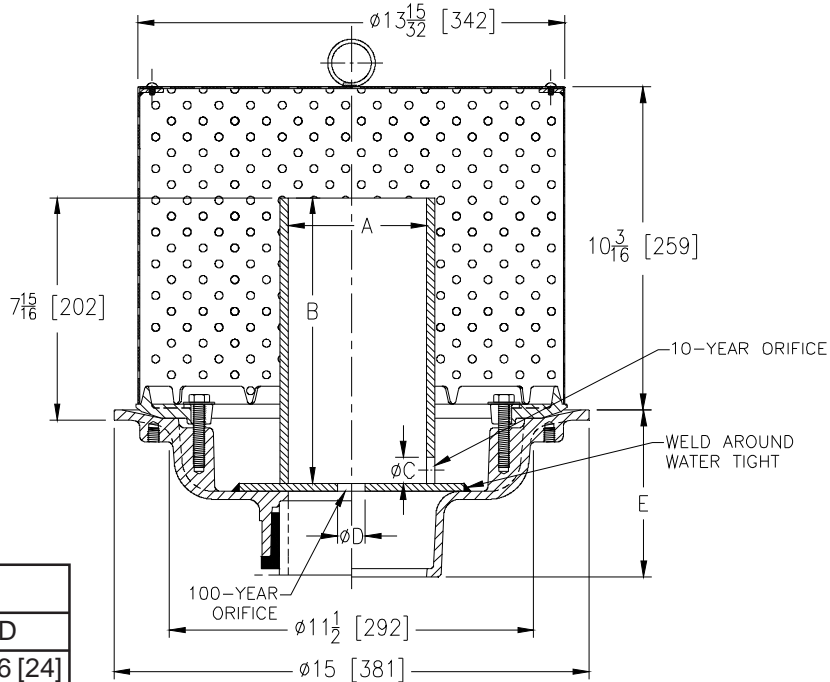
# Z100-270

Ø15 [381] MAIN ROOF DRAIN W/ CONTROL FLOW ORIFICE & HIGH S.S. PERFORATED COVER

SPECIFICATION SHEET

TAG \_\_\_\_\_

Dimensional Data (inches and [ mm ]) are Subject to Manufacturing Tolerances and Change Without Notice



Dimensions In Inches		
B	ØC	ØD
10-1/4 [260]	9/16 [14]	15/16 [24]

A Pipe Size In.	Approx. Wt. Lbs. [kg]	Cover Open Area Sq. In. [cm <sup>2</sup> ]
3,4 [76,102]	26-1/2 [12]	118 [761]
5,6 [127,152]	27-1/2 [12]	
8 [203]	28-1/2 [13]	

### ENGINEERING SPECIFICATION: ZURN Z100-270

15 [381] Diameter roof drain. Dura-Coated cast iron body with combination membrane flashing clamp/gravel guard and water dam featuring 10-year and 100-year control flow orifices with high stainless steel perforated cover.

### OPTIONS (Check/specify appropriate options)

#### PIPE SIZE

- 3 thru 6,8 [76 thru 152,203]
- 3 thru 6,8 [76 thru 152,203]
- 3 thru 6,8 [76 thru 152,203]
- 3,4 [76,102]
- 6 [152]

#### (Specify size/type) OUTLET

- \_\_\_\_\_ IC Inside Caulk
- \_\_\_\_\_ IP Threaded
- \_\_\_\_\_ NH No-Hub
- \_\_\_\_\_ NL Neo-Loc
- \_\_\_\_\_ NL Neo-Loc

#### E BODY HT. DIM.

- 5-1/4 [133]
- 3-3/4 [95]
- 5-1/4 [133]
- 4-9/16 [116]
- 5-7/16 [112]

#### PREFIXES

- \_\_\_\_\_ Z D.C.C.I. Body with Stainless Steel Perforated Cover\*

#### SUFFIXES

- \_\_\_\_\_ -AC Angular Underdeck Clamp
- \_\_\_\_\_ -AR Acid Resistant Epoxy Coated
- \_\_\_\_\_ -C Underdeck Clamp
- \_\_\_\_\_ -DE Deck Extension
- \_\_\_\_\_ -DP Top-Set® Deck Plate (Replaces both the -C and -R)
- \_\_\_\_\_ -DR Top-Set® Drain Riser
- \_\_\_\_\_ -DX Dex-o-tex Flange
- \_\_\_\_\_ -EB Top-Set® Adjustable Extension Assembly
- \_\_\_\_\_ -G Galvanized Cast Iron
- \_\_\_\_\_ -R Roof Sump Receiver
- \_\_\_\_\_ -SC Secondary Clamp Collar
- \_\_\_\_\_ -VP Vandal-Proof Secured Top
- \_\_\_\_\_ -85 Stainless Steel Perforated Extension
- \_\_\_\_\_ -89 2 [51] High External Water Dam

\* Regularly furnished unless otherwise specified.