



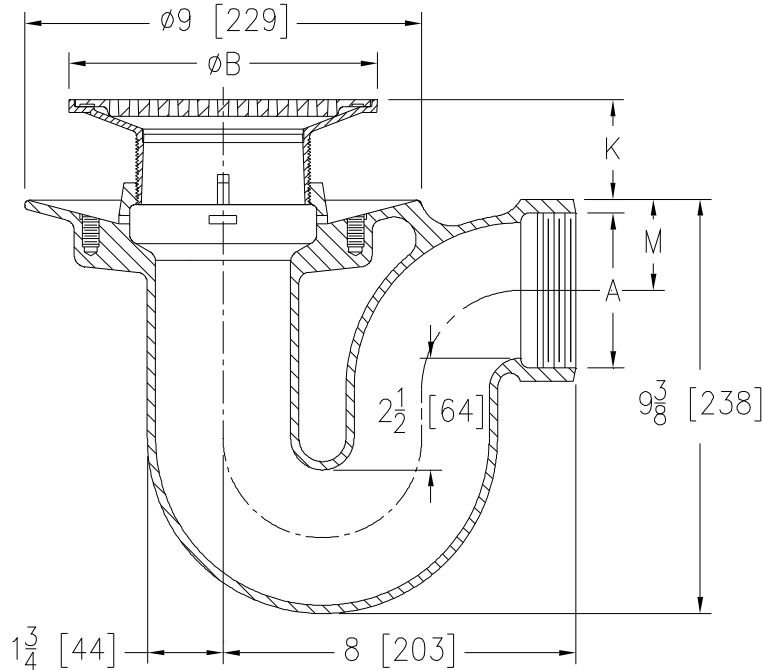
# Z453BS-76

## DEEP SEAL TRAP DRAIN W/ "TYPE BS" ROUND STRAINER

SPECIFICATION SHEET

TAG \_\_\_\_\_

Dimensional Data (inches and [ mm ]) are Subject to Manufacturing Tolerances and Change Without Notice



Dimensions In Inches				Approx. Wt. Lbs. [kg]	Strainer Open Area Sq. In. [cm <sup>2</sup> ]	
A Pipe Size	B Strainer Dia.	K				M
		Min.	Max.			
2-3 [51-76]	5 [127]	3/4 [19]	1-7/8 [48]	2-1/8 [54]	30 [14]	6-3/4 [171]
4 [102]						
2-3 [51-76]	6 [152]	1-1/8 [29]	2-1/8 [54]	2-1/8 [54]	31 [14]	10-1/2 [267]
4 [102]						
2-3 [51-76]	7 [178]	1-3/8 [35]	2-1/2 [64]	2-1/8 [54]	33 [15]	15 [381]
4 [102]						
4 [102]	8 [203]	1-3/8 [35]	2-1/2 [64]	2-3/4 [70]	33 [15]	20 [508]
4 [102]	10 [254]	1-7/8 [48]	2-7/8 [73]	2-3/4 [70]	35 [16]	26-1/2 [673]

**ENGINEERING SPECIFICATION:**  
**ZURNZS453BS-76**  
 Deep Seal trap floor and shower drain, Dura-Coated cast iron body with uniform diameter integral trap, side outlet, seepage pan, and adjustable "TYPE BS" polished, stainless steel, heel-proof, medium-duty strainer.

**OPTIONS** (Check/specify appropriate options)

**PIPE SIZE**

2-3-4 [51-76-102]  
 2-3-4 [51-76-102]

(Specify size/type) **OUTLET**

\_\_\_\_ IP Threaded  
 \_\_\_\_ NH No-Hub

**PREFIXES**

\_\_\_\_ ZS D.C.C.I. Body Assembly w/ Type 304 (CF8) Stainless Steel Top\*

**SUFFIXES**

- \_\_\_\_ -AR Acid Resisting Epoxy Coated Cast Iron
- \_\_\_\_ -C Clamping Collar
- \_\_\_\_ -G Galvanized Cast Iron
- \_\_\_\_ -J Auxiliary Inlet (Specify 1 1/2 [38] or 2 [51])
- \_\_\_\_ -P Trap Primer Connection (Specify 1/2 [13] or 3/4 [19])
- \_\_\_\_ -U 1 - 3 [25 - 76] High Extension Adapter
- \_\_\_\_ -VP Vandal-Proof Secured Top
- \_\_\_\_ -Y Sediment Bucket

REV.	DATE: 05/04/11	C.N. NO. 121207
DWG. NO. 305692	PRODUCT NO. Z453BS-76	

\*REGULARLY FURNISHED UNLESS OTHERWISE SPECIFIED