



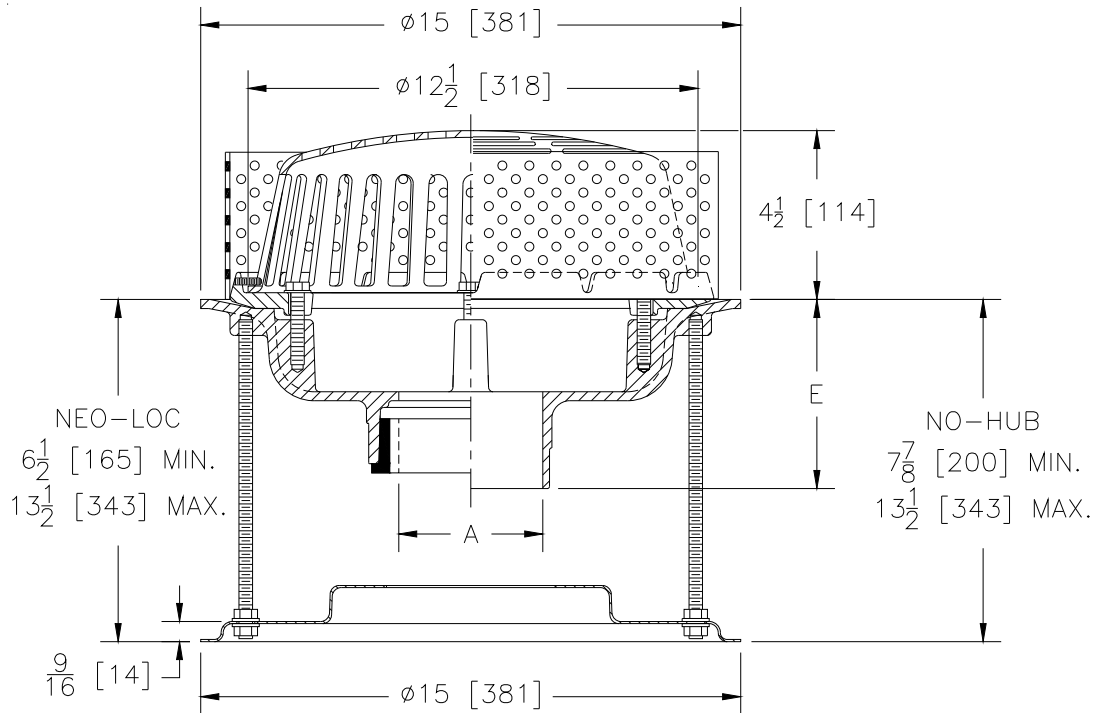
Z100-279

15 [381] DIAMETER MAIN ROOF DRAIN W/ PERFORATED GRAVEL GUARD, VANDAL-PROOF DOME & STABILIZER ASSEMBLY

SPECIFICATION SHEET

TAG _____

Dimensional Data (inches and [mm]) are Subject to Manufacturing Tolerances and Change Without Notice



A- Pipe Size In.	Approx. Wt. Lbs. [kg]	Dome Open Area Sq. In. [cm ²]
2-3-4 [51-76-102]	28 [13]	103 [665]
5-6 [127-152]	29 [13]	

ENGINEERING SPECIFICATION: ZURN Z100-279

15 [381] Diameter roof drain. Dura-Coated cast iron body with combination membrane flashing clamping/gravel guard, perforated gravel guard, vandal proof secured low silhouette Poly-dome strainer and Installation Stabilizer.

OPTIONS (Check/specify appropriate options)

PIPE SIZE

- 2-3-4-5-6 [51-76-102-127-152]
- 2-3-4 [51-76-102]

(Specify size/type) OUTLET

- _____ NH No-Hub
- _____ NL Neo-Loc

E BODY HT. DIM.

- 5-1/4 [133]
- 4-9/16 [116]

PREFIXES

- _____ Z D.C.C.I. Body with Poly-Dome*
- _____ ZA D.C.C.I. Body with Aluminum Dome
- _____ ZC D.C.C.I. Body with Cast Iron Dome
- _____ ZRB D.C.C.I. Body with Plain Bronze Dome

SUFFIXES

- _____ -AR Acid Resistant Epoxy Coating
- _____ -E Static Extension 1 [25] thru 4 [102] (Specify Ht.)
- _____ -EA Adjustable Extension Assembly 1-3/4 [44] thru 3-1/2 [89]
- _____ -G Galvanized Cast Iron (ZC only)
- _____ -GD Galvanized Cast Iron Dome
- _____ -HD 6-3/4 [171] High Aluminum Dome Strainer (148 Sq. In. [955 cm²] Open Area) ZA Only.
- _____ -W2 2 [51] Internal Water Dam
- _____ -W3 3 [76] Internal Water Dam
- _____ -W4 4 [102] Internal Water Dam
- _____ -SC Secondary Clamping Collar
- _____ -SS Stainless Steel Mesh Screen Over Dome
- _____ -ST Solid Top Dome
- _____ -TC Neo-Loc Test Cap Gasket (2-4 [51-102] NL (Bottom Outlet Only.))
- _____ -85 Stainless Steel Perforated Extension
- _____ -89 2 [51] High External Water Dam

* Regularly furnished unless otherwise specified.