



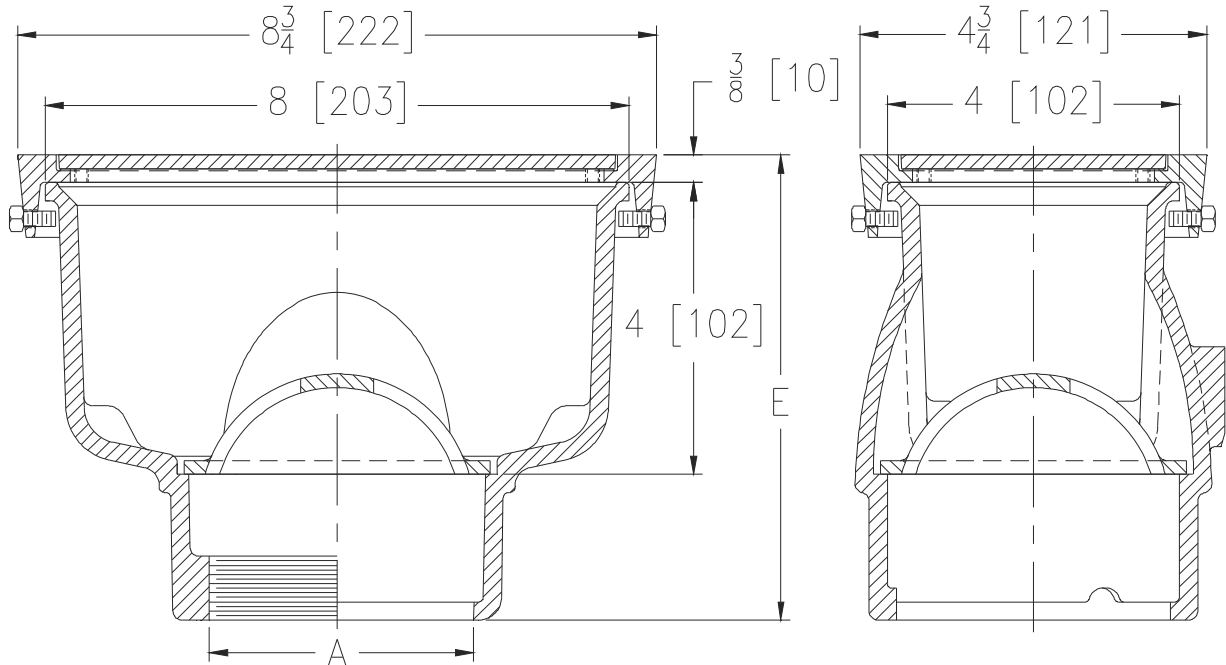
ZN1930-15

8-3/4 X 4-3/4 [222 X 121] A.R.C. SANI-FLOR
RECEPTOR 4 [102] SUMP DEPTH W/ NICKEL
BRONZE FRAME AND SOLID LOOSE SET COVER

SPECIFICATION SHEET

TAG _____

Dimensional Data (inches and [mm]) are Subject to Manufacturing Tolerances and Change Without Notice



A Pipe Size In. [mm]	Approx Wt. Lbs. [kg]
2,3 [51,76]	14 [6]

ENGINEERING SPECIFICATION: ZURN ZN1930-15

Sani-Flor Receptor 8" x 4" x 4" [203mm x 102mm x 102mm] deep cast iron body, with white acid resisting epoxy coated interior, 8-3/4" x 4-3/4" [222mm x 121mm] nickel bronze frame and solid loose set cover, complete with white ABS anti-splash interior bottom dome strainer.

OPTIONS (Check/specify appropriate options)

PIPE SIZE

- 3 [76]
- 2,3 [51,76]
- 2,3 [51,76]

(Specify size/type) **OUTLET**

- ___ IC Inside Caulk
- ___ IP Threaded
- ___ NL Neo-Loc

E BODY HT. DIMENSION

- 6-3/8 [162]
- 6-3/8 [162]
- 6-3/16 [157]

PREFIXES

- ___ ZN Cast Iron Body with White A.R.C. Interior, 8-3/4 x 4-3/4 [222 x 121] Nickel Bronze Frame and Solid Loose Set Cover*

SUFFIXES

- ___ -K Anchor Flange with Seepage Holes
- ___ -KC Anchor Flange with Seepage Holes and Clamp Collar
- ___ -LD Less Bottom Dome Strainer
- ___ -P 1/2 [13] Trap Primer Connection
- ___ -S Secondary Strainer
- ___ -TC Neo-Loc Test Cap Gasket (2,3 [51,76] NL Bottom Outlet Only)
- ___ -11 Vandal-Proof Secured Grate
- ___ -23 Stainless Steel Bucket
- ___ -25 White A.R.C. Bucket
- ___ -31 Stainless Steel Mesh Liner for Bucket
- ___ -32 Aluminum Dome Strainer
- ___ -33 White A.R.C. Anti-Splash Bottom Dome Strainer

* Regularly furnished unless otherwise specified.