



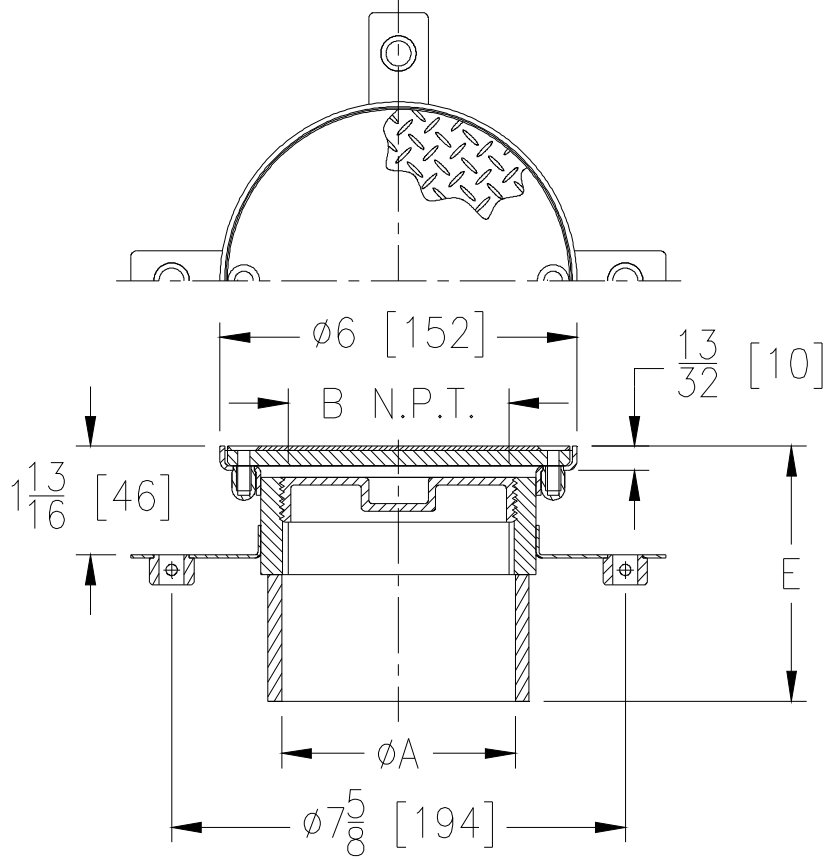
Z1840-6B-76

6 [152] DIAMETER ROUND INDUSTRIAL FLOOR
CLEANOUT W/ DIAMOND PLATE VENEER

SPECIFICATION SHEET

TAG _____

Dimensional Data (inches and [mm]) are Subject to Manufacturing Tolerances and Change Without Notice



Approx. Wt. Lbs. [kg]
5 [2]

Engineering Specification: ZURN Z1840-6B-76
 6" [152mm] Diameter, 18 gage, all type 304 (CF8) stainless steel round industrial floor cleanout with secured extra-heavy-duty cover, removable ABS cleanout plug, and pre-pour stabilizing anchor tabs. Includes Type 304 Stainless Steel Diamond Plate Veneer.

Options (Check/specify appropriate options)

Pipe Size (ØA)	(Specify size/type) Outlet	'B' N.P.T	E Body Ht. Dim.
3 [76]	___ BW Butt-Weld (Sch. 10)	2-1/2 [64]	4-5/32 [106]
4 [102]	___ BW Butt-Weld (Sch. 10)	3-1/2 [90]	4-1/32 [102]
3 [76]	___ NH No-Hub	2-1/2 [64]	4-5/32 [106]
4 [102]	___ NH No-Hub	3-1/2 [90]	4-1/32 [102]

Prefixes

- ___ Z Type 304 (CF8) Stainless Steel*
- ___ ZM Type 316 (CF8M) Stainless Steel

Suffixes

- ___ -SA Stabilizer Assembly (Z1035)
- ___ -SQ Stabilizer Q-Deck (Z1035-Q)

* Regularly furnished unless otherwise specified.