



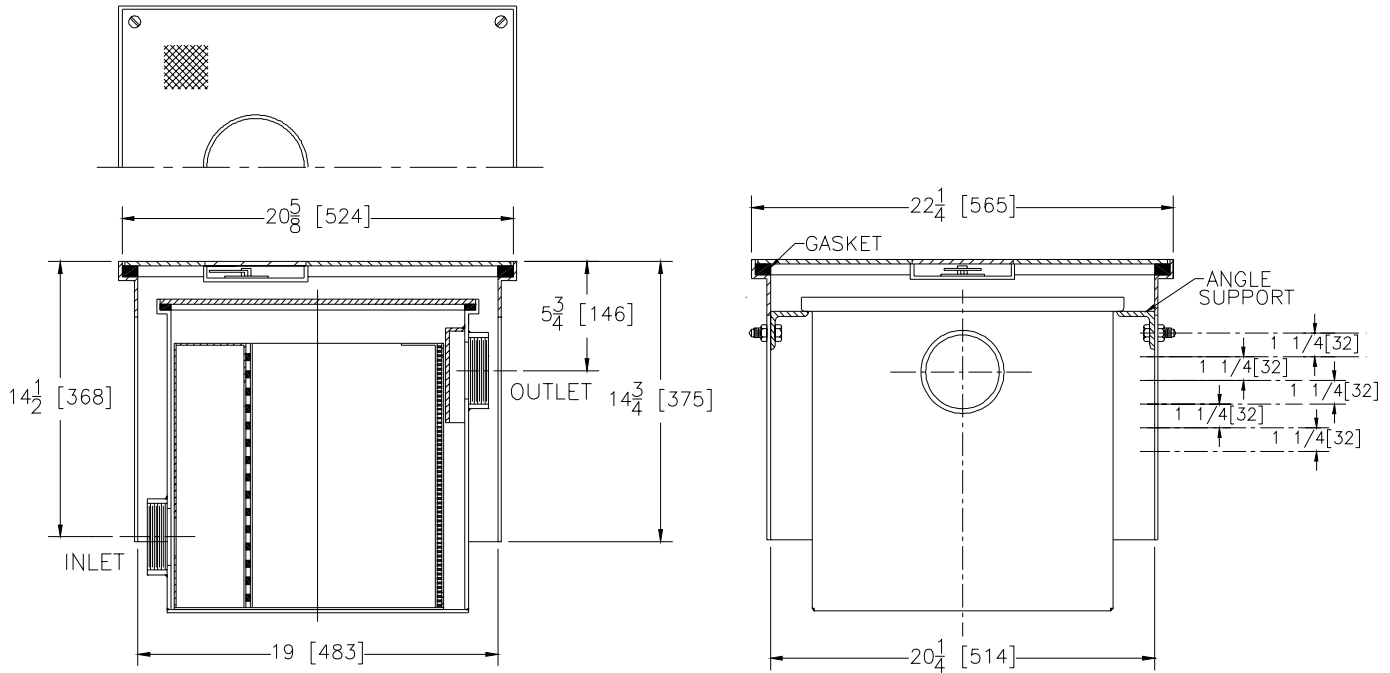
Z1181-R

ADJUSTABLE RECESSING RECEIVER FOR SOLIDS INTERCEPTOR

SPECIFICATION SHEET

TAG _____

Dimensional Data (inches and [mm]) are Subject to Manufacturing Tolerances and Change Without Notice



ENGINEERING SPECIFICATION: ZURN Z1181-R Acid Resistant Epoxy Coated Recessing receiver equipped with adjustable support brackets and gasketed non-skid cover with recessed and covered lift handle. Complete with Z1181 solids interceptor for solids interceptor specifications see Z 1181 drawing.

OPTIONS (Check/specify appropriate options)

PREFIXES

___ **Z-** Acid Resistant Coated Fabricated Steel*

SUFFIXES

- ___ **-K** Anchor flange 1-3/4" down from top and 2" wide. A 3" minimum extension height is required when anchor flange (-K) option is specified. (Specify 'C' Dim. height required)
- ___ **-KC** Anchor flange 1-3/4" down from top and 2" wide with clamp collar. A 3" minimum extension height is required when anchor flange (-KC) option is specified.
- ___ **-T** Cover recessed for tile/terrazzo. A 3" minimum extension height is required. (Specify 'C' Dim. and required recess depth - 1/8", 3/4", or 1-1/4").

REV.	DATE: 9/12/03	C.N. NO. 91276	
DWG. NO. 67397	PRODUCT NO. Z1181-R		

*REGULARLY FURNISHED UNLESS OTHERWISE SPECIFIED