



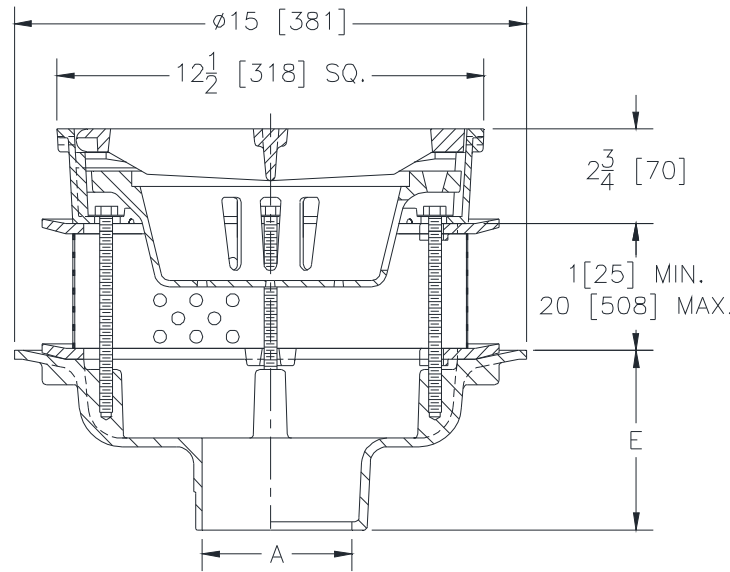
Z610-138

12-1/2 [318] HEAVY-DUTY DRAIN WITH STAINLESS STEEL PERFORATED EXTENSION

SPECIFICATION SHEET

TAG _____

Dimensional Data (inches and [mm]) are Subject to Manufacturing Tolerances and Change Without Notice



Note:
Frame must be encased
in concrete to maintain
heavy-duty load rating.

A- Pipe Size In.[mm]	Approx. Wt. Lbs. [kg]	Grate Open Area Sq. In. [cm ²]
2,3,4,5,6 [52,76,102,127,152]	54 [24]	21 [135]
8,10 [203-254]	56 [25]	

ENGINEERING SPECIFICATION: ZURN Z610-138

12-1/2" [318mm] Square top drain, Dura-Coated cast iron body with bottom outlet, seepage pan and combination membrane flashing clamp, secondary clamp collar, stainless steel perforated extension, frame for heavy duty cast iron loose slotted grate, heelproof grate and suspended sediment bucket.

OPTIONS (Check/specify appropriate options)

PIPE SIZE

(Specify size/type) **OUTLET**

'E' BODY HT. DIM.

2,3,4,5,6,8,10 [51,76,102,127,152,203,254]	___ IC	Inside Caulk	5-1/4 [133]
2,3,4,6 [51,76,102,152]	___ IG	Inside Caulk w/Sealtrol Gskt.	5-1/4 [133]
2,3,4,5,6,8,10 [51,76,102,127,152,203,254]	___ IP	Threaded	3-3/4 [95]
2,3,4,5,6,8,10 [51,76,102,127,152,203,254]	___ NH	No-Hub	5-1/4 [133]
2,3,4 [51,76,102]	___ NL	Neo-Loc	4-5/8 [117]

PREFIXES

___ Z	D.C.C.I Body and Top*
___ ZB	D.C.C.I Body w/Polished Bronze Top (Add 3/16 [5] to 2-1/2 [64] Dim. and 3/4 [19] to 12-1/2 [318] Dim.)
___ ZN	D.C.C.I Body w/Polished Nickel Bronze Top (Add 3/16 [5] to 2-1/2 [64] Dim. and 3/4 [19] to 12-1/2 [318] Dim.)

SUFFIXES

___ -AR	Acid Resistant Epoxy Coated Finish	___ -S	Secondary Strainer
___ -DG	Duresist Grate	___ -TS	Top Secured with Slotted Screws
___ -DX	Dex-o-tex Flange	___ -V	Backwater Valve (See Z-1099)
___ -G	Galvanized Cast Iron	___ -VP	Vandal Proof Secured Top
___ -H	Hinged Grate	___ -YA	Aluminum Sediment Bucket
___ -HL	Hinged Locking Grate	___ -90	90° Threaded Side Outlet Body
___ -P	Trap Primer Connection		

* Regularly furnished unless otherwise specified.

Zurn Industries, LLC | Specification Drainage Operation
1801 Pittsburgh Avenue, Erie, PA U.S.A. 16502 · Ph. 855-663-9876, Fax 814-454-7929
In Canada | Zurn Industries Limited
3544 Nashua Drive, Mississauga, Ontario L4V 1L2 · Ph. 905-405-8272, Fax 905-405-1292
www.zurn.com

Rev. -
Date: 10/02/17
C.N. No. 138208
Prod. | Dwg. No. Z610-138