

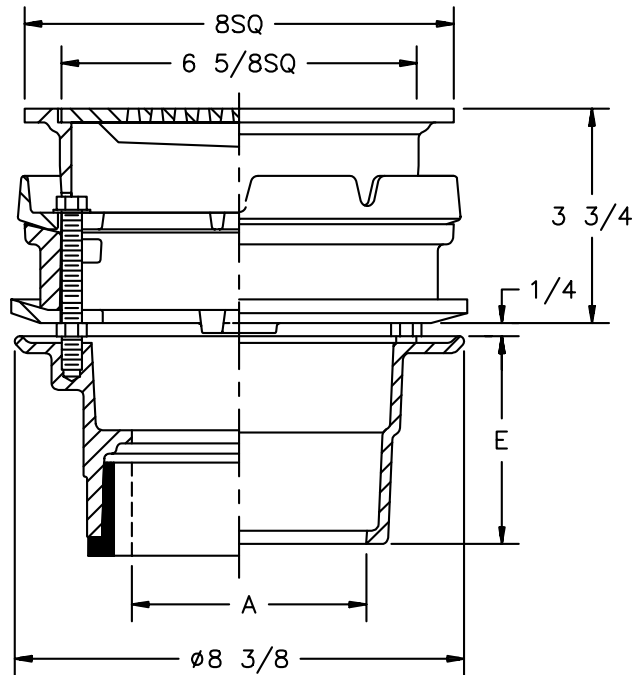


Z-158-87

8" TOP PROM-DECK DRAIN

TAG _____

Dimensions Subject to Manufacturing Tolerances



A- Pipe Size In.	Approx. Wt. Lbs.	Grate Open Area Sq. In.
2-3-4	23	11

ENGINEERING SPECIFICATION: ZURN Z-158-87 8" Prom-Deck drain, Dura-Coated cast iron body with square promenade frame and heel-proof grate, static extension flat clamping collar raised up and combination membrane flashing clamp/gravel guard.

OPTIONS (Check/specify appropriate options)

OUTLET (Specify type)

- _____ **IC** Inside Caulk
- _____ **IG** Inside Caulk w/Sealtrol Gskt.
- _____ **IP** Threaded
- _____ **NH** No-Hub
- _____ **NL** Neo-Loc

PIPE SIZE (Specify size)

- _____ 2,3,4
- _____ 2,3,4
- _____ 2,3,4
- _____ 2,3,4
- _____ 2,3,4

'E' BODY HT. DIMENSION

- 3 7/8
- 3 7/8
- 2 5/8
- 3 7/8
- 4 5/8

PREFIXES

- _____ **Z-** D.C.C.I. Body with Grate*
- _____ **ZB-** D.C.C.I. Body with Polished Bronze Grate
- _____ **ZN-** D.C.C.I. Body with Polished Nickel Bronze Grate

SUFFIXES

- _____ **-C** Underdeck Clamp
- _____ **-DG** Duresist Grate (Z only)
- _____ **-G** Galvanized Cast Iron
- _____ **-R** Roof Sump Receiver
- _____ **-S** Secondary Clamp Collar
- _____ **-VP** Vandal Proof Secured Top
- _____ **-XJ** Vertical Expansion Joint (See Z-190)
- _____ **-85** Stainless Steel Perforated Extension
- _____ **-90** 90° Threaded Side Outlet Body (2" thru 4") (Previously Z-159)

*REGULARLY FURNISHED UNLESS OTHERWISE SPECIFIED

REV.	DATE: 4/13/95	C.N. NO. 71610
DWG. NO. P-14163	PRODUCT NO. Z-158-87	