



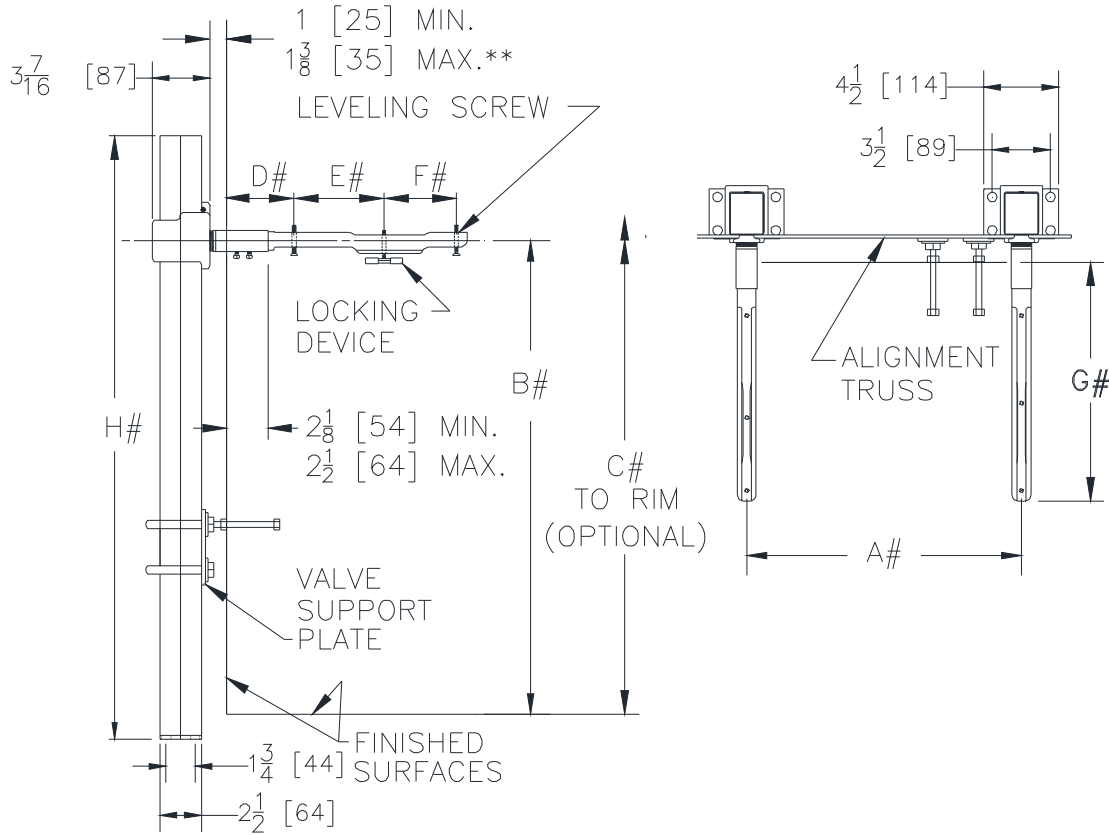
# Z1231-WS

CONCEALED ARM SYSTEM FOR WALL-HUNG  
LAVATORIES WITH VALVE SUPPORT PLATE

SPECIFICATION SHEET

TAG \_\_\_\_\_

Dimensional Data (inches and [ mm ]) are Subject to Manufacturing Tolerances and Change Without Notice



\*\* WITH STANDARD SLEEVE LENGTH OF 4 [76].  
 # REFER TO ROUGH-IN GUIDE OF SPECIFIC FIXTURE FOR DIM.

Product No.	Approx. Wt. Lbs. [kg]
Z1231-WS	63 [29]

### ENGINEERING SPECIFICATION: ZURNZ1231-WS

Lavatory support system with concealed arms. Complete with Dura-Coated rectangular steel uprights with welded feet, cast iron adjustable headers, concealed arms, steel sleeves, alignment truss, valve support plate, and mounting fasteners.

### OPTIONS (Check/specify appropriate options)

#### PREFIXES

\_\_\_ Z Dura-Coated System with Concealed Arms\*

#### SUFFIXES

- \_\_\_ -AL Adapter Lug
- \_\_\_ -D Back to Back System
- \_\_\_ -E2 Concealed Arm Escutcheons 2 [51] Long
- \_\_\_ -SL Sleeve Length Over 3-1/4 [83] (Specify Length)
- \_\_\_ -79 ADA Rough-In

\* Regularly furnished unless otherwise specified.