



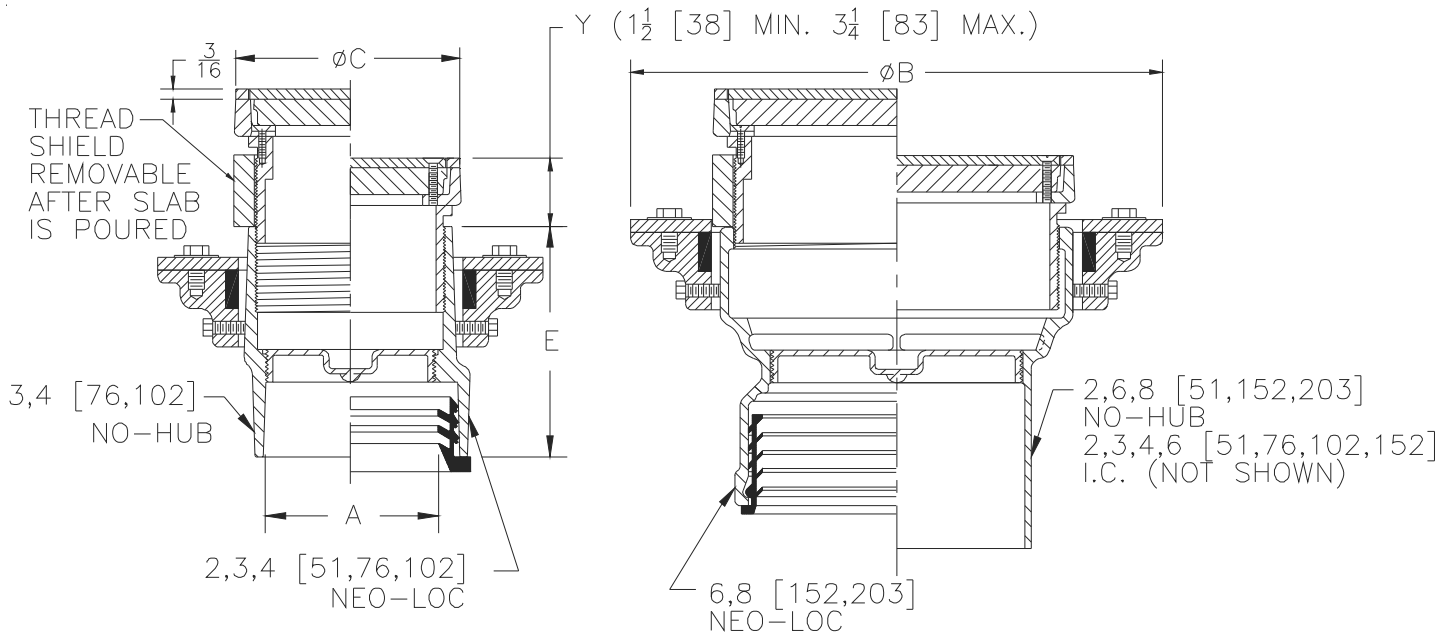
ZS1400-KC

"LEVEL-TROL" ADJUSTABLE CLEANOUT W/ ANCHOR FLANGE & STAINLESS STEEL TOP

SPECIFICATION SHEET

TAG _____

Dimensional Data (inches and [mm]) are Subject to Manufacturing Tolerances and Change Without Notice



Dimension In Inches[mm]				Approx. Wt. Lbs. [kg.]
A-Pipe Size	B	C	E	
Inside Caulk				
2 [51]	9-1/2 [241]	6-1/8 [156]	6-7/8 [175]	22 [10]
3 [76]	9-1/2 [241]	6-1/8 [156]	6-7/8 [175]	22 [10]
4 [102]	11-1/2 [292]	7-1/4 [184]	6-7/8 [175]	28 [13]
6 [152]	12-1/4 [292]	9-1/4 [235]	6-7/8 [175]	42 [19]
No-Hub				
2 [51]	7-1/2 [191]	4-1/8 [105]	4-5/8 [117]	12 [5]
3 [76]	7-1/2 [191]	5-1/8 [130]	5-3/8 [137]	12 [5]
4 [102]	7-1/2 [191]	5-1/8 [130]	5-3/8 [137]	14 [6]
6 [152]	11-1/2 [292]	8-1/4 [210]	4-3/4 [121]	37 [17]
8 [203]	12-1/4 [311]	9-1/4 [235]	7-1/2 [191]	47 [21]
Neo-Loc				
2 [51]	7-1/2 [191]	5-1/8 [130]	5-3/8 [137]	12 [5]
3 [76]	7-1/2 [191]	5-1/8 [130]	5-3/8 [137]	14 [6]
4 [102]	7-1/2 [191]	5-1/8 [130]	5-3/8 [137]	19 [9]
6 [152]	11-1/2 [292]	8-1/4 [210]	5-7/8 [149]	34 [15]
8 [203]	12-1/4 [311]	9-1/4 [235]	6-1/2 [165]	35 [16]

ENGINEERING SPECIFICATION: ZURNZS1400-KC
 "Level-Trol" Adjustable floor cleanout, Dura-Coated cast iron body, with gas and watertight ABS tapered thread plug, anchor flange with membrane flashing clamp collar and round scoriated extra heavy duty secured top with stainless steel veneer frame and cover, adjustable to finished floor.

OPTIONS (Check/specify appropriate options)

PREFIXES

___ ZS D.C.C.I. w/ Polished Stainless Steel Top*

SUFFIXES

- ___ -AR Acid Resisting Epoxy Coated Finish
- ___ -BP Bronze Plug
- ___ -CM Carpet Marker
- ___ -DC Duresist Cover
- ___ -G Galvanized Cast Iron
- ___ -SA Stabilizer Assembly (See Z1035)
- ___ -SG Solid Gasketed Cover
- ___ -SM Special Marking Stamped on Top
- ___ -TC Neo-Loc Test Cap Gasket (2,3,4 [51,76,102] NL Bottom Outlet Only)
- ___ -VP Vandal-Proof Screws

PIPE SIZE

- 2,3,4,6 [51,76,102,152]
- 2,3,4,6,8 [51,76,102,152,203]
- 2,3,4,6,8 [51,76,102,152,203]

(Specify size/type) OUTLET

- ___ IC Inside Caulk
- ___ NH No-Hub
- ___ NL Neo-Loc

'E' BODY HT. DIM.

- See Chart
- See Chart
- See Chart

* Regularly furnished unless otherwise specified.