

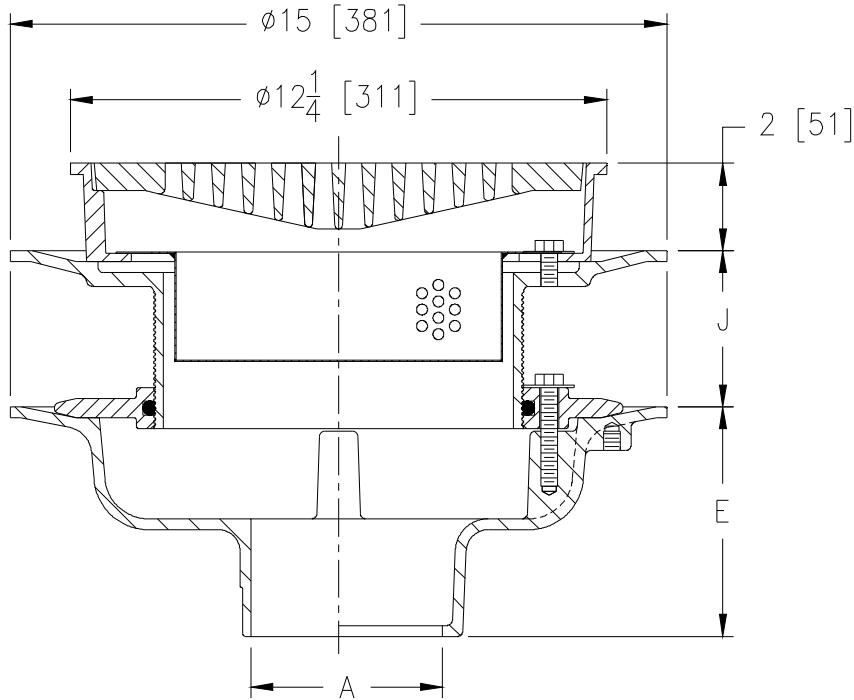


Z-541-129

12" DIAMETER HEAVY DUTY DRAIN WITH ADJUSTABLE EXTENSION AND PERFORATED BUCKET

TAG _____

Dimensional Data (inches and [mm]) are Subject to Manufacturing Tolerances and Change Without Notice



A- Pipe Size In.	Approx. Wt. Lbs. [kg]	Grate Open Area Sq. In. [cm ²]	J	
			Min.	Max.
2-3-4-5-6 [50-75-100-125-150]	52 [24]	30 [194]	1 3/4 [44]	3 1/2 [89]
8-10 [200-250]	54 [24]			

ENGINEERING SPECIFICATION:

ZURN Z-541-129 12" [305] Diameter top drain. Dura-Coated cast iron body with bottom outlet, seepage pan and combination membrane flashing clamp, adjustable extension, perforated bucket, and frame for heavy duty grate.

OPTIONS (Check/specify appropriate options)

PIPE SIZE

(Specify size/type) **OUTLET**

'E' BODY HT. DIM.

2 thru 6, 8, 10 [50 thru 150, 200, 250]	___ IC	Inside Caulk	5 1/4 [133]
2 thru 6, 8, 10 [50 thru 150, 200, 250]	___ IG	Inside Caulk w/Sealtrol Gskt.	5 1/4 [133]
2 thru 6, 8, 10 [50 thru 150, 200, 250]	___ IP	Threaded	3 3/4 [95]
2 thru 6, 8, 10 [50 thru 150, 200, 250]	___ NH	No-Hub	5 1/4 [133]
2 thru 4 [50 thru 100]	___ NL	Neo-Loc	4 5/8 [117]

PREFIXES

- ___ Z- D.C.C.I. Body and Grate*
- ___ ZB- D.C.C.I. Body with Polished Bronze Grate (Add 3/16 [5] to 2 [51] Dim.)
- ___ ZN- D.C.C.I. Body with Polished Nickel Bronze Grate (Add 3/16 [5] to 2 [51] Dim.)

SUFFIXES

- ___ -D Dome Grate (D.C.C.I. only)
- ___ -DG Duresist Grate
- ___ -DX Dex-o-tex Flange
- ___ -G Galvanized Cast Iron
- ___ -H Hinged Grate
- ___ -HP Heel-Proof Grate
- ___ -P Trap Primer Connection
- ___ -PH Packing House Grate
- ___ -TS Top Secured with Slotted Screws
- ___ -V Backwater Valve (See Z-1099)
- ___ -VP Vandal Proof Secured Top
- ___ -WS Wide Slotted Grate (50 sq. in open)
- ___ -90 90° Threaded Side Outlet Body (2 thru 6 [50 thru 150])

*REGULARLY FURNISHED UNLESS OTHERWISE SPECIFIED

REV.	DATE: 01/09/12	C.N. NO. 122617
DWG. NO. 308628	PRODUCT NO. Z-541-129	