



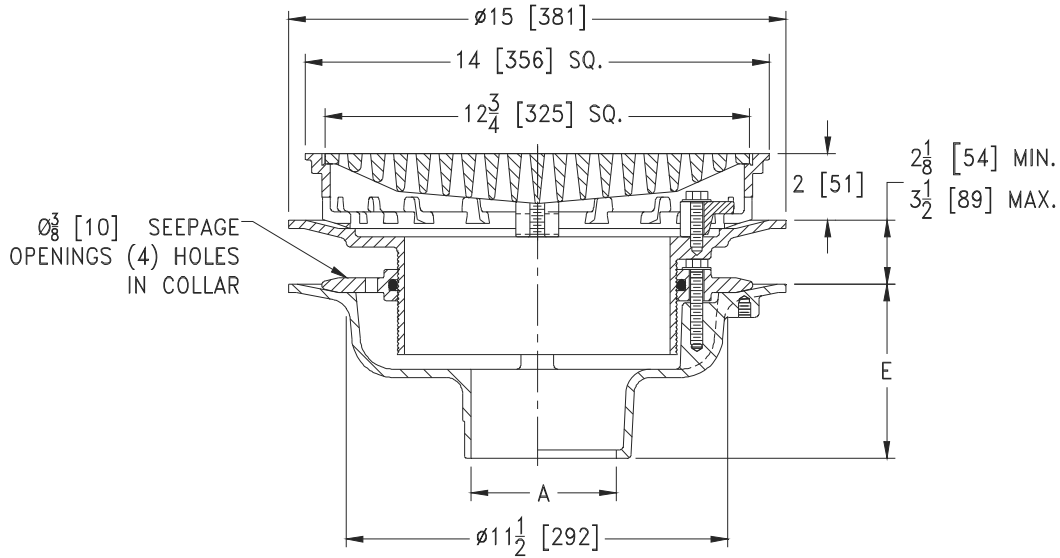
# Z150-144

## 14 [356] SQUARE TOP PROM-DECK DRAIN WITH ADJUSTABLE EXTENSION AND SEEPAGE HOLES

SPECIFICATION SHEET

TAG \_\_\_\_\_

Dimensional Data (inches and [ mm ]) are Subject to Manufacturing Tolerances and Change Without Notice



A Pipe Size in [mm]	Approx Wt. lbs [kg]	Grate Open Area in <sup>2</sup> [cm <sup>2</sup> ]
2,3,4 [51,76,102]	70 [32]	44 [284]
5,6 [126,152]		
8 [203]	71 [32]	

### ENGINEERING SPECIFICATION: ZURN Z150-144

14" [356mm] Square Top Prom-Deck drain, Dura-Coated cast iron body, with rotatable square promenade frame with seepage openings, frame clamps, heavy duty heel proof grate, adjustable extension with seepage holes and secondary clamping collar with o-ring.

### OPTIONS (Check/specify appropriate options)

#### PIPE SIZE

- 2,3,4,5,6,8 [51,76,102,126,152,208]
- 2,3,4,5,6,8 [51,76,102,126,152,208]
- 2,3,4,5,6,8 [51,76,102,126,152,208]
- 2,3,4 [51,76,102]

#### (Specify size/type) OUTLET

- \_\_\_ IC Inside Caulk
- \_\_\_ IP Threaded
- \_\_\_ NH No-Hub
- \_\_\_ NL Neo-Loc

#### E BODY HT. DIM.

- 5-1/4 [133]
- 3-3/4 [95]
- 5-1/4 [133]
- 4-9/16 [116]

#### PREFIXES

- \_\_\_ Z D.C.C.I. Body with Top\*
- \_\_\_ ZB D.C.C.I. Body with Polished Bronze Top (Add 3/16 [5] to 2 [51] Dim & 3/8 [10] to 14 [356] Dim.)
- \_\_\_ ZN D.C.C.I. Body with Polished Nickel Bronze Top (Add 3/16 [5] to 2 [51] Dim. & 3/8 [10] to 14 [356] Dim.)

#### SUFFIXES

- |  |  |
|--|--|
| ___ -AR Acid Resistant Epoxy Coated  | ___ -HF High Flow Ductile Iron Grate (Open Area = 61 in <sup>2</sup> [394 cm <sup>2</sup> ]) |
| ___ -C Underdeck Clamp   | ___ -G Galvanized Cast Iron  |
| ___ -DB Deep Sump Body   | ___ -R Roof Sump Receiver  |
| ___ -DG Duresist Grate   | ___ -S Secondary Strainer  |
| ___ -DP Top-Set <sup>®</sup> Roof Deck Plate (Replaces both the -C and -R)           | ___ -SC Secondary Clamping Collar  |
| ___ -DR Top-Set <sup>®</sup> Drain Riser (Adjustment from 3-5/8 [92] to 7-1/4 [184]) | ___ -TC Neo-Loc Test Cap Gasket (2,3,4 [51,76,102] NL Bottom Outlet Only)                    |
| ___ -DT Decorative Polished Top (ZB and ZN Only)                                     | ___ -TS Top Secured With Slotted Screws  |
| ___ -DX Dex-o-tex Flange (ZB and ZN Only)  | ___ -VP Vandal-Proof Secured Top   |
| ___ -E Static Extension 1 [25] thru 4 [102] (Specify Ht.)                            | ___ -XJ Vertical Expansion Joint (See Z190)  |
| ___ -EB Top-Set <sup>®</sup> Adjustable Extension Assembly                           | ___ -Y Sediment Bucket   |
|  | ___ -85 Stainless Steel Perforated Extension   |
|  | ___ -90 90° Threaded Side Outlet Body (2,3,4,6 [51,76,102,152])                              |

\* Regularly furnished unless otherwise specified.