

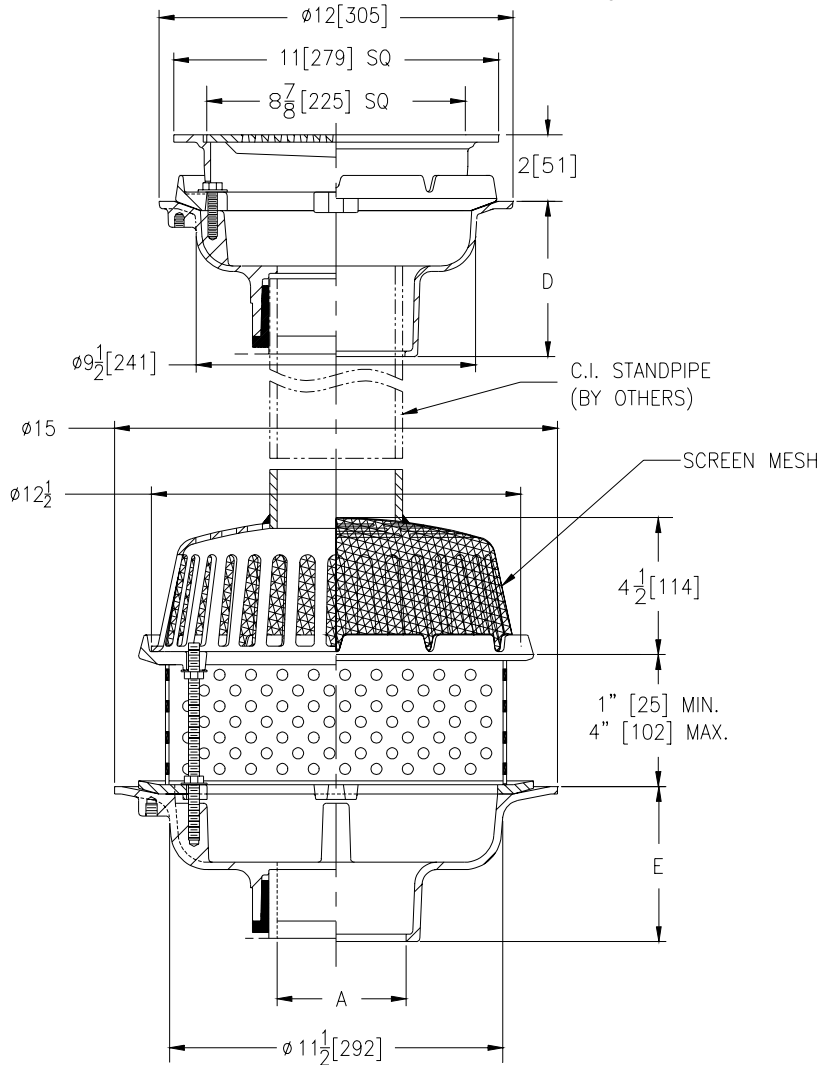


Z-100-148

TAG \_\_\_\_\_

**15 [381] DIAMETER ROOF DRAIN  
WITH 11 [279] TOP PROM-DECK DRAIN**

Dimensions Subject to Manufacturing Tolerances



A- Pipe Size In.	Approx. Wt. Lbs. [kg]	Grate Open Area Sq. In. [cm <sup>2</sup> ]	Dome Open Area Sq. In. [cm <sup>2</sup> ]
2-3-4 [50-75-100]	50 [23]	20 [129]	103 [665]
5-6 [125-150]	51 [23]		
8 [200]	52 [24]		
10 [250]	54 [24]		

**ENGINEERING SPECIFICATION: ZURN**  
Z-100-148 15 [381] Diameter Roof Drain, Dura-Coated cast iron body, perforated extension, combination membrane flashing clamp/gravel guard, low silhouette cast iron dome with pipe coupling and stainless steel mesh screen. Upper body consists of a ZB-154 11 [279] Top Prom-Deck drain with Dura-Coated cast iron body, combination membrane flashing clamp/gravel guard and polished bronze Promenade frame and heel-proof grate.

**OPTIONS** (Check/specify appropriate options)

**OUTLET** (Specify type)

- \_\_\_\_\_ **IC** Inside Caulk
- \_\_\_\_\_ **IG** Inside Caulk w/Sealtrol Gskt.
- \_\_\_\_\_ **IP** Threaded
- \_\_\_\_\_ **NH** No-Hub
- \_\_\_\_\_ **NL** Neo-Loc

**PIPE SIZE** (Specify size)

- \_\_\_\_\_ 2,3,4 [50,75,100]
- \_\_\_\_\_ 2,3,4 [50,75,100]
- \_\_\_\_\_ 2,3,4 [50,75,100]
- \_\_\_\_\_ 2,3,4 [50,75,100]
- \_\_\_\_\_ 2,3,4 [50,75,100]

**'D' BODY HT. DIMENSION**

- \_\_\_\_\_ 5 1/4 [133]
- \_\_\_\_\_ 5 1/4 [133]
- \_\_\_\_\_ 3 3/4 [95]
- \_\_\_\_\_ 5 1/4 [133]
- \_\_\_\_\_ 4 5/8 [117]

**'E' BODY HT. DIMENSION**

- \_\_\_\_\_ 5 1/4 [133]
- \_\_\_\_\_ 5 1/4 [133]
- \_\_\_\_\_ 3 3/4 [95]
- \_\_\_\_\_ 5 1/4 [133]
- \_\_\_\_\_ 4 5/8 [117]

**PREFIXES**

- \_\_\_\_\_ **ZC-** D.C.C.I. Body with Cast Iron Dome

<b>REV.</b>	<b>DATE: 11/4/97</b>	<b>C.N. NO. 78891</b>
<b>DWG. NO. P-14569 PRODUCT NO. Z-100-148</b>		

\*REGULARLY FURNISHED UNLESS OTHERWISE SPECIFIED

ZURN INDUSTRIES, INC. ♦ SPECIFICATION DRAINAGE OPERATION ♦ 1801 Pittsburgh Ave. ♦ Erie, PA 16514

Phone: 814/455-0921 ♦ Fax: 814/454-7929 ♦ World Wide Web: www.zurn.com

In Canada: ZURN INDUSTRIES LIMITED ♦ 3544 Nashua Drive ♦ Mississauga, Ontario L4V1L2 ♦ Phone: 905/405-8272 Fax: 905/405-1292