



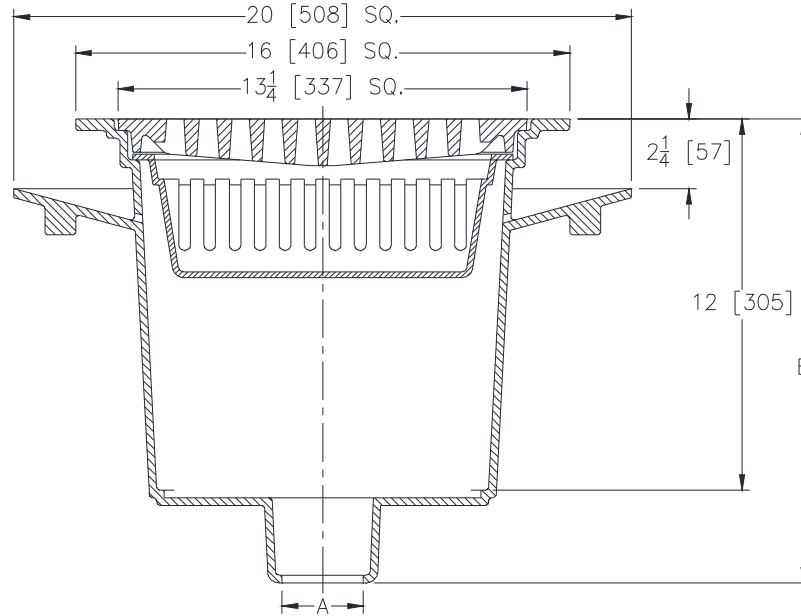
Z1926-25

16 X 16 [406 X 406] A.R.C. SANI-FLOR RECEPTOR
12 [305] SUMP DEPTH WITH WHITE A.R.C. BUCKET

SPECIFICATION SHEET

TAG _____

Dimensional Data (inches and [mm]) are Subject to Manufacturing Tolerances and Change Without Notice



A- Pipe Size In. [mm]	Approx Wt. Lbs. [kg]	Grate Open Area Sq. In. [cm ²]
2, 3, 4, 5, 6, 8 [51, 76, 102, 127, 152, 203]	153 [69]	54 [348]

ENGINEERING SPECIFICATION: ZURN Z1926-25

Sani-Flor Receptor 16" x 16" x 12" [406mm x 406mm x 305mm] deep cast iron body with seepage flange and square slotted heavy duty grate, with white acid resisting epoxy coated interior and top, complete with white A.R.C. bucket.

OPTIONS (Check/specify appropriate options)

PIPE SIZE

(Specify size/type) **OUTLET**

'E' BODY HT. DIMENSION

PIPE SIZE	OUTLET	Z	ZN
3, 4, 6 [76, 102, 152]	___ IC Inside Caulk	15 [381]	15-3/16 [386]
2, 3, 4, 5, 6, 8 [51, 76, 102, 127, 152, 203]	___ NH No-Hub	15 [381]	15-3/16 [386]
2, 3, 4 [51, 76, 102]	___ NL Neo-Loc	14-1/4 [362]	14-7/16 [367]

PREFIXES

- ___ Z Cast Iron Body with White A.R.C. Interior*
- ___ ZN Cast Iron Body with White A.R.C. Interior, 16-3/4 [425] Square Nickel Bronze Frame and Full Grate

SUFFIXES

- ___ -C Clamping Collar
- ___ -P 1/2 [13] Trap Primer Connection
- ___ -TC Neo-Loc Test Cap Gasket
(2, 3, 4 [51, 76, 102] NL Bottom Outlet Only)
- ___ -1 Less Grate
- ___ -2 1/2 Grate
- ___ -3 3/4 Grate
- ___ -4 Full Grate With 2 [51] Square Opening
- ___ -6 Grate w/6 [152] Diameter x 6 [152] High Funnel
- ___ -8 Grate w/8-7/8 x 3-5/8 x 3-3/4
[225 x 92 x 95] High Oval Funnel
- ___ -11 Vandal Proof Secured Grate
- ___ -15 Solid Loose Set Cover
- ___ -31 Stainless Steel Mesh Liner for Bucket

* Regularly furnished unless otherwise specified.