



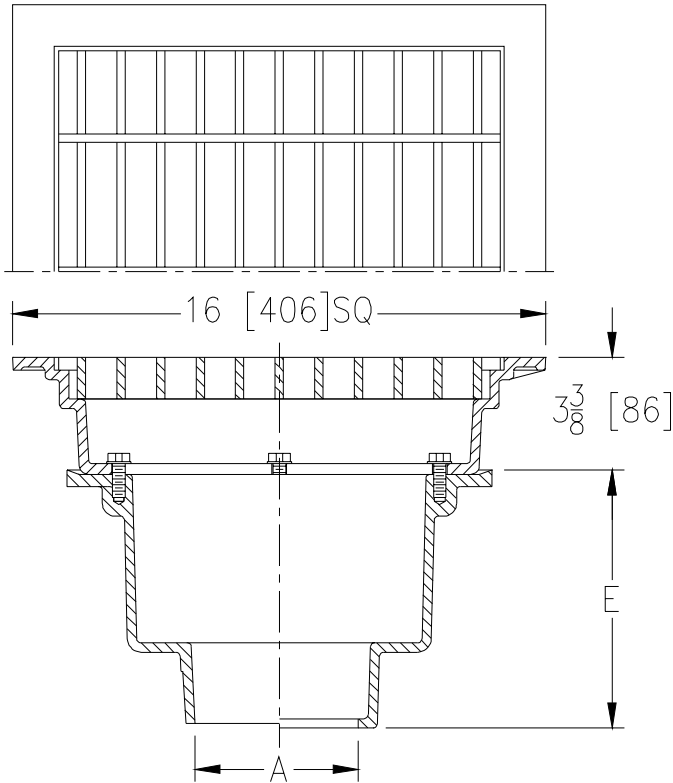
Z662-92

16 [406] SQ. TOP DRAIN W/ HEAVY-DUTY 75 SQ. IN. OPEN AREA BAR GRATE

SPECIFICATION SHEET

TAG _____

Dimensional Data (inches and [mm]) are Subject to Manufacturing Tolerances and Change Without Notice



A- Pipe Size In.	Approx. Wt. Lbs. [kg]	Grate Open Area Sq. In. [cm ²]
3 - 4 [76 - 102]	76 [34]	75 [484]
5 - 6 [127 - 152]	73 [33]	

ENGINEERING SPECIFICATION: Z662-92

16 [406] Square top drain, Dura-Coated cast iron body with bottom outlet, seepage pan and combination membrane flashing clamp and frame for heavy-duty stainless steel bar grate.

OPTIONS (Check/specify appropriate options)

PIPE SIZE

(Specify size/type) **OUTLET**

'E' BODY HT. DIM.

3 thru 6 [76 thru 152]	___ IC	Inside Caulk	7 3/4 [197]
3 - 4 - 6 [76 - 102 - 152]	___ IG	Inside Caulk w/Sealtrol Gskt.	7 3/4 [197]
3 thru 6 [76 thru 152]	___ IP	Threaded	6 3/8 [162]
(IP w/Z1040-1)	___ NH	No-Hub	-
3 - 4 [76 - 102]	___ NL	Neo-Loc	7 1/8 [181]

PREFIXES

___ Z D.C.C.I. Body and Stainless Steel Bar Grate*

SUFFIXES

- ___ -G Galvanized Cast Iron
- ___ -SS Stainless Mesh Liner for Bucket
- ___ -TC Neo-Loc Test Cap Gasket (3 - 4 [75 - 102] NL Bottom Outlet Only)
- ___ -V Backwater Valve (See Z1099)
- ___ -YA Aluminum Sediment Bucket
- ___ -90 90° Threaded Side Outlet Body

REV. DATE: 7/15/04 C.N. NO. 92117

DWG. NO. P-15053 PRODUCT NO. Z662-92

*REGULARLY FURNISHED UNLESS OTHERWISE SPECIFIED

ZURN INDUSTRIES, INC. ♦ SPECIFICATION DRAINAGE OPERATION ♦ 1801 Pittsburgh Ave. ♦ Erie, PA 16514

Phone: 814/455-0921 ♦ Fax: 814/454-7929 ♦ World Wide Web: www.zurn.com

In Canada: ZURN INDUSTRIES LIMITED ♦ 3544 Nashua Drive ♦ Mississauga, Ontario L4V1L2 ♦ Phone: 905/405-8272 Fax: 905/405-1292