



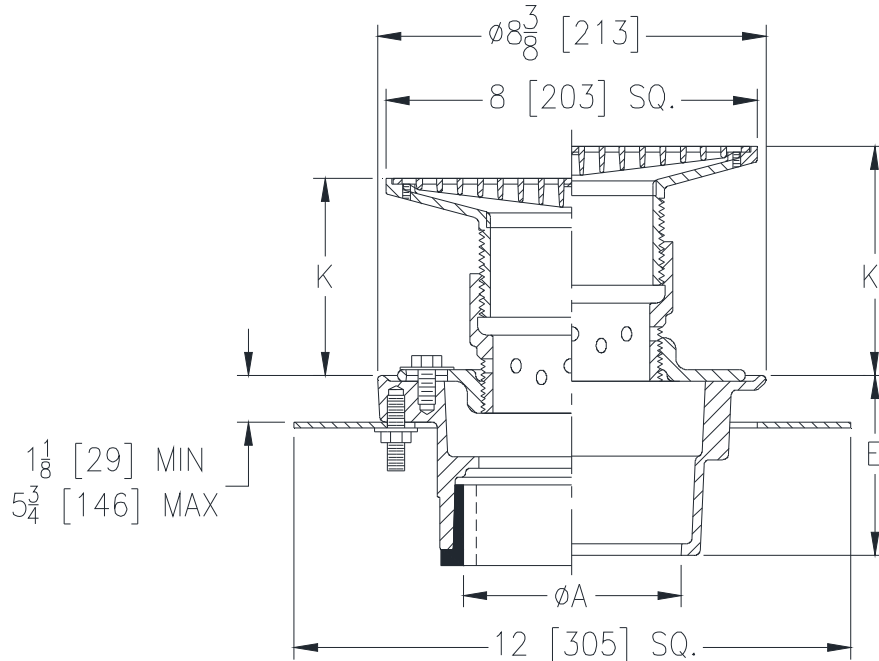
# Z415S-79

BODY ASSEMBLY W/ "TYPE S" STRAINER, EXTENSION ADAPTER W/ HOLES, & UNDERDECK CLAMP

SPECIFICATION SHEET

TAG \_\_\_\_\_

Dimensional Data (inches and [ mm ]) are Subject to Manufacturing Tolerances and Change Without Notice



Dimensions In Inches					Approx. Wt. Lbs.[kg]	Strainer Open Area Sq. In. [cm <sup>2</sup> ]
A Pipe Size	K		K'			
	Min.	Max.	Min.	Max.		
2-3-4 [51-76-102]	3-13/16 [97]	4-11/16 [119]	4-11/16 [119]	5-5/8 [143]	18 [8]	28 [181]

**ENGINEERING SPECIFICATION: ZURN ZN415S-79**  
 Floor and shower drain, Dura-Coated cast iron body with bottom outlet, combination invertible membrane clamp and adjustable collar with "TYPE S" head, extension adapter with (16) 5/16 [8] dia. holes on staggered centers, underdeck clamp and polished nickel bronze square heel-proof strainer.

**OPTIONS** (Check/specify appropriate options)

**PIPE SIZE**

- 2-3-4 [51-76-102]
- 2-3-4 [51-76-102]
- 2 [51]
- 3 [76]
- 4 [102]
- 2-3-4 [51-76-102]
- 2-3-4 [51-76-102]

(Specify size/type) **OUTLET**

- \_\_\_ IC Inside Caulk
- \_\_\_ IG Inside Gasket
- \_\_\_ IP Threaded
- \_\_\_ IP Threaded
- \_\_\_ IP Threaded
- \_\_\_ NH No-Hub
- \_\_\_ NL Neo-Loc

**'E' BODY HT. DIM.**

- 3-7/8 [98]
- 3-7/8 [98]
- 2-3/8 [60]
- 2-5/8 [67]
- 2-7/8 [73]
- 3-7/8 [98]
- 4-5/8 [117]

**PREFIXES**

- \_\_\_ ZB D.C.C.I. Body Assembly w/ Polished Bronze Top
- \_\_\_ ZN D.C.C.I. Body Assembly w/ Polished Nickel Bronze Top\*

**SUFFIXES**

- \_\_\_ -AR Acid Resisting Epoxy Coated Cast Iron
- \_\_\_ -CP Chrome-Plated Bronze top
- \_\_\_ -DP Decorative Polished Top
- \_\_\_ -EF 3/8 [10] Extension Frame
- \_\_\_ -G Galvanized Cast Iron
- \_\_\_ -PC Protective Cover
- \_\_\_ -PD Prom Deck Grate - Decorative Slots (8 x 8 [203 x 203] Only)
- \_\_\_ -TC Neo-Loc Test Cap Gasket (2 - 4 [51 - 102]) NL Bottom Outlet Only)
- \_\_\_ -U4 4 [102] High Extension Adapter
- \_\_\_ -V Backwater Valve
- \_\_\_ -VP Vandal-Proof Secured Top
- \_\_\_ -Y Sediment Bucket
- \_\_\_ -18 Leveling Ring

\* Regularly furnished unless otherwise specified.