



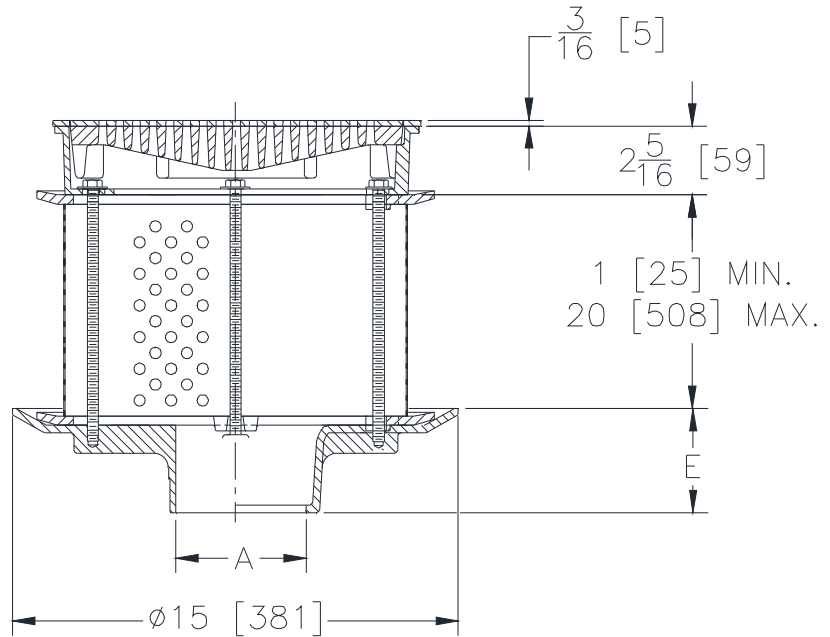
Z509-93

12-3/8 [314] DIAMETER TOP HEAVY-DUTY DRAIN WITH
SECONDARY CLAMP COLLAR, PERFORATED EXTENSION
AND HEEL PROOF GRATE

SPECIFICATION SHEET

TAG _____

Dimensional Data (inches and [mm]) are Subject to Manufacturing Tolerances and Change Without Notice



A Pipe Size In.[mm]	Approx. Wt. Lbs. [kg]	Grate Open Area Sq. In. [cm ²]
3, 4, 6 [76, 102, 152]	48 [22]	28 [181]

ENGINEERING SPECIFICATION: ZURN Z509-93

12-3/8" [314mm] Diameter top drain. Dura-Coated cast iron body with bottom outlet, seepage pan and combination membrane flashing clamp, secondary clamp collar, perforated extension, frame, Heavy-Duty heel proof grate and nickel bronze top.

OPTIONS (Check/specify appropriate options)

PIPE SIZE

- 3, 4, 6 [76, 102, 152]
- 3, 4, 6 [76, 102, 152]
- 3, 4, 6 [76, 102, 152]
- 3, 4 [76, 102]
- 6 [152]
- 3, 4 [76, 102]

(Specify size/type) OUTLET

- ___ IC Inside Caulk
- ___ IG Inside Gasket
- ___ IP Threaded
- ___ NH No-Hub
- ___ NH No-Hub (IP w/ Z1040)
- ___ NL Neo-Loc

'E' BODY HT. DIM.

- 3-1/2 [89]
- 3-1/2 [89]
- 3-1/2 [89]
- 3-1/2 [89]
- 6 [152]
- 2-5/8 [67]

PREFIXES

- ___ ZB D.C.C.I. Body w/ Polished Bronze Top
- ___ ZN D.C.C.I. Body w/ Polished Nickel Bronze Top*

SUFFIXES

- ___ -AR Acid Resisting Epoxy Coated Cast Iron
- ___ -DG Duresist Grate
- ___ -DX Dex-O-Tex Flange
- ___ -G Galvanized Cast Iron
- ___ -P Trap Primer Connection
- ___ -S Secondary Strainer
- ___ -TC Neo-Loc Test Cap Gasket
(3, 4 [76, 102] NL Bottom Outlet Only)
- ___ -TS Top Secured with Slotted Screws
- ___ -V Backwater Valve (See Z1099)
- ___ -VP Vandal-Proof Secured Top
- ___ -Y Sediment Bucket

* Regularly furnished unless otherwise specified.