



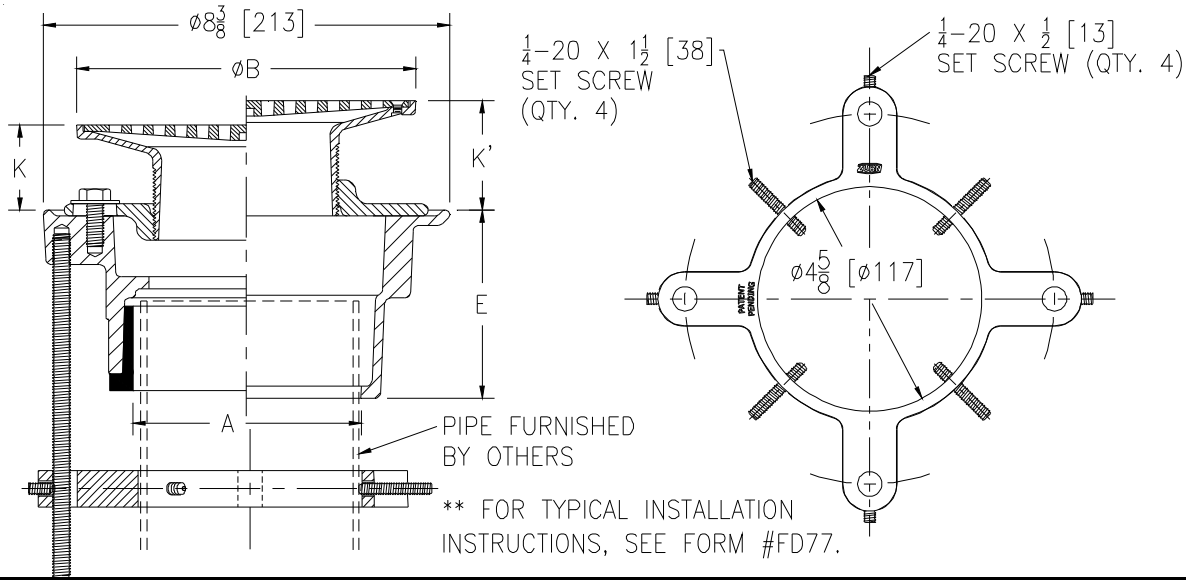
# Z415B-SR

FLOOR AND SHOWER DRAIN  
W/"TYPE B" STRAINER AND STABILIZER RING

SPECIFICATION SHEET

TAG \_\_\_\_\_

Dimensional Data (inches and [ mm ]) are Subject to Manufacturing Tolerances and Change Without Notice



| Dimensions in In [mm] |               |             |              |              |              | Approx Wt. lbs [kg] | Strainer Open Area in <sup>2</sup> [cm <sup>2</sup> ] |
|-----------------------|---------------|-------------|--------------|--------------|--------------|---------------------|---|
| A                     | B             | K           |              | K'           |              |                     |   |
| Pipe Size             | Strainer Dia. | Min         | Max          | Min          | Max          |                     |   |
| 2,3 [51,76]           | 5 [127]       | 1 [25]      | 1-1/2 [41]   | 1-3/32 [28]  | 2-1/4 [57]   | 13 [6]              | 8 [52]  |
| 2,3,4 [51,76,102]     | 6 [152]       | 1 [25]      | 1-25/32 [45] | 1-13/32 [36] | 2-17/32 [64] | 15 [7]              | 9 [58]  |
| 2,3,4 [51,76,102]     | 7 [178]       | 1 [25]      | 2-1/8 [54]   | 1-23/32 [44] | 2-7/8 [73]   | 16 [7]              | 12 [77]   |
| 3,4 [76,102]          | 8 [203]       | 1-5/32 [30] |              | 1-3/4 [44]   |              | 18 [8]              | 18 [116]  |

**ENGINEERING SPECIFICATION: ZURNZN415B-SR**

Floor and shower drain, Dura-Coated cast iron body with bottom outlet, combination invertible membrane clamp and adjustable collar with seepage slots and "TYPE B" polished nickel bronze, light-duty strainer. Complete with Dura-Coated cast iron floor drain stabilizer ring with four 1/4-20 x 1/2" [13mm] securing screws to 3/8-16 x 7" [178mm] threaded rods and four 1/4-20 x 1-1/2" [38mm] securing screws to outlet piping.

**OPTIONS** (Check/specify appropriate options)

**PIPE SIZE**

- 2,3,4 [51,76,102]
- 2 [51]
- 3 [76]
- 4 [102]
- 2,3,4 [51,76,102]
- 2,3,4 [51,76,102]

(Specify size/type) **OUTLET**

- \_\_\_\_\_ IC Inside Caulk
- \_\_\_\_\_ IP Threaded
- \_\_\_\_\_ IP Threaded
- \_\_\_\_\_ IP Threaded
- \_\_\_\_\_ NH No-Hub
- \_\_\_\_\_ NL Neo-Loc

**E BODY HT. DIM.**

- 4-3/16 [106]
- 2-7/16 [62]
- 2-3/4 [70]
- 2-13/16 [71]
- 3-13/16 [97]
- 3-7/8 [98]

**PREFIXES**

- \_\_\_\_\_ ZB D.C.C.I. Body with Polished Bronze Top
- \_\_\_\_\_ ZN D.C.C.I. Body with Polished Nickel Bronze Top\*

**SUFFIXES**

- \_\_\_\_\_ -AR Acid Resistant Epoxy Coated Cast Iron
- \_\_\_\_\_ -CP Chrome-Plated Bronze Top
- \_\_\_\_\_ -G Galvanized Cast Iron
- \_\_\_\_\_ -HD Heavy-Duty Slotted Grate (ZN 5,6 [127,152] Only)
- \_\_\_\_\_ -OF Oval Funnel (6,7,8,10 [152,178,203,254] Strainers Only)
- \_\_\_\_\_ -P Trap Primer Connection (Specify 1/2 [13] or 3/4 [19])
- \_\_\_\_\_ -PC Protective Cover
- \_\_\_\_\_ -TC Neo-Loc Test Cap Gasket (2,3,4 [51,76,102] NL Bottom Outlet Only)
- \_\_\_\_\_ -U 1-3 [25-76] High Extension Adapter
- \_\_\_\_\_ -V Backwater Valve
- \_\_\_\_\_ -VP Vandal Proof Secured Top
- \_\_\_\_\_ -Y Sediment Bucket
- \_\_\_\_\_ -4 4 [102] Diameter Funnel

\* Regularly furnished unless otherwise specified.