



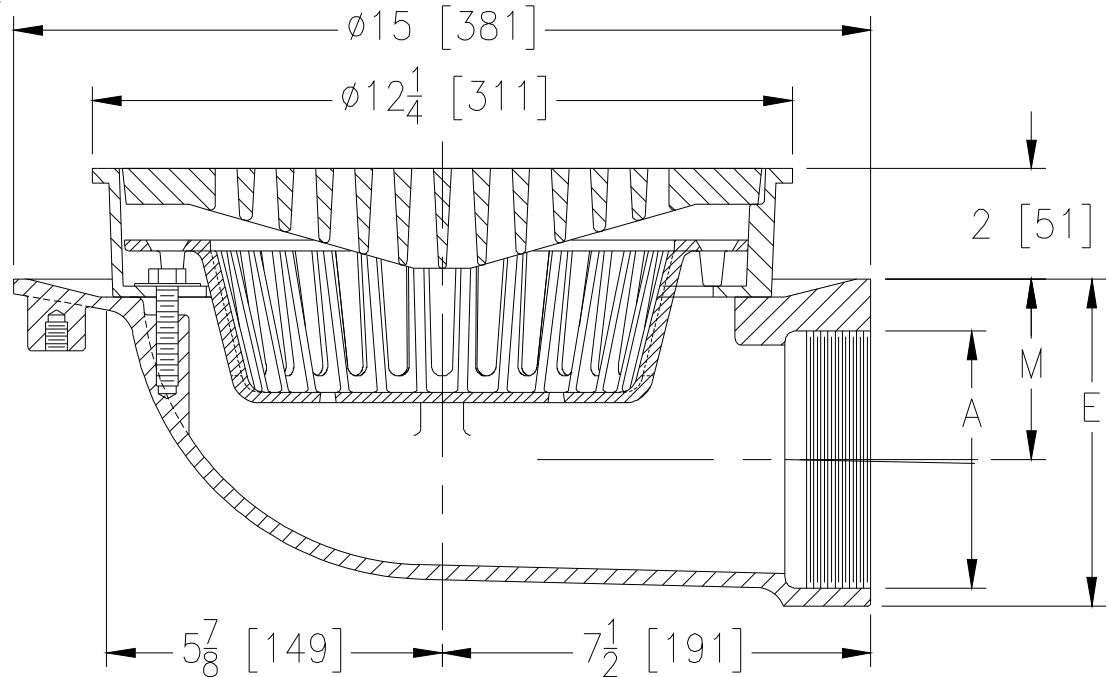
Z541-90

12-1/4 [311] HEAVY-DUTY DRAIN WITH SEDIMENT BUCKET

SPECIFICATION SHEET

TAG _____

Dimensional Data (inches and [mm]) are Subject to Manufacturing Tolerances and Change Without Notice



Dimensions in Inches [mm]		Approx. Wt. Lbs. [kg]	Grate Open Area Sq. In. [cm ²]
A Pipe Size	M		
2 [51]	4-1/4 [108]	60 [27]	30 [194]
3 [76]	3-11/16 [94]	59 [27]	
4 [102]	3-3/16 [81]	57 [26]	
6 [152]	4-1/4 [108]	60 [27]	

ENGINEERING SPECIFICATION: ZURN Z541-90

12-1/4" [311mm] Diameter top heavy-duty drain, Dura-Coated cast iron body with side outlet, seepage pan and combination membrane flashing clamp and frame for heavy-duty cast iron loose slotted grate with suspended polypropylene sediment bucket.

OPTIONS (Check/specify appropriate options)

PIPE SIZE

2,3,4 [51 thru 102]
6 [152]

(Specify size) OUTLET

___ IP Threaded
___ IP Threaded

'E' BODY HT. DIM.

5-3/4 [146]
7-7/8 [200]

PREFIXES

- ___ Z D.C.C.I. Body and Top*
- ___ ZB D.C.C.I. Body w/ Polished Bronze Top (Add 3/16 [5] to 2 [51] Dim. and 3/4 [19] to 12-1/4 [311] Dim.)
- ___ ZN D.C.C.I. Body w/ Polished Nickel Bronze Top (Add 3/16 [5] to 2 [51] Dim. and 3/4 [19] to 12-1/4 [311] Dim.)

SUFFIXES

- ___ -AR Acid Resistant Epoxy Coated Cast Iron
- ___ -DG Duresist Grate
- ___ -DX Dex-o-tex Flange
- ___ -G Galvanized Cast Iron
- ___ -H Hinged Grate
- ___ -HP Heel-Proof Grate
- ___ -LY (Less) Sediment Bucket
- ___ -P Trap Primer Connection (Specify 1/2 [13] or 3/4 [19])
- ___ -SS Stainless Steel Mesh Liner for Bucket
- ___ -TG Tractor Grate
- ___ -TS Top Secured with Slotted Screws
- ___ -VP Vandal-Proof Secured Top
- ___ -WS Wide Slotted Grate (50 sq. in. open [323 cm²])
- ___ -YC Cast Iron Sediment Bucket

* Regularly furnished unless otherwise specified.

Zurn Industries, LLC | Specification Drainage Operation
1801 Pittsburgh Avenue, Erie, PA U.S.A. 16502 · Ph. 855-663-9876, Fax 814-454-7929
In Canada | Zurn Industries Limited
3544 Nashua Drive, Mississauga, Ontario L4V 1L2 · Ph. 905-405-8272, Fax 905-405-1292
www.zurn.com

Rev. C
Date: 10/09/2017
C.N. No. 138518
Prod. | Dwg. No. Z541-90