



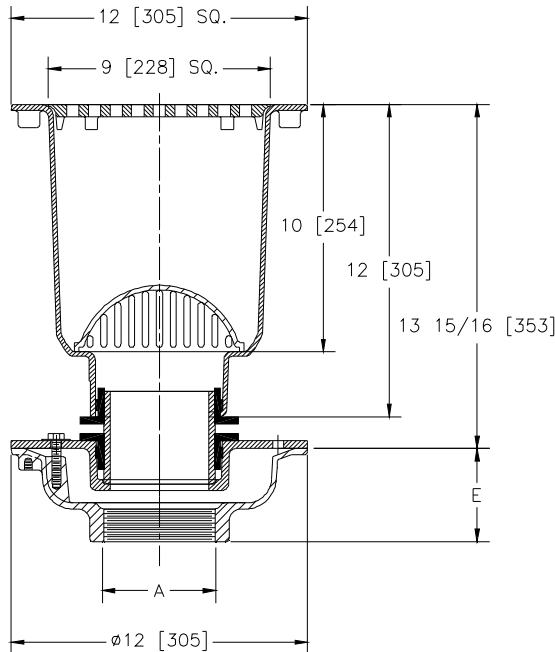
Z1902-87

ISOLATION DECK DRAIN W/ 12 [305] X 12 [305] A.R.E.
SANI-FLOR RECEPTOR 10 [254] SUMP DEPTH

SPECIFICATION SHEET

TAG _____

Dimensional Data (inches and [mm]) are Subject to Manufacturing Tolerances and Change Without Notice



A Pipe Size In. [mm]	Approx Wt. Lbs. [kg]	Grate Open Area Sq. In. [cm ²]
2,3,4,5,6 [51,76,102,127,152]	60 [27]	31[200]

ENGINEERING SPECIFICATION: ZURN Z1902-87
Sani-Flor Receptor 12" x 12" x 10" [305mm x 305mm x 254mm] Deep cast iron body and square, light-duty grate with 1/2" [13mm] slotted openings, white acid resisting porcelain enamel interior and top, with white ABS anti-splash interior bottom dome strainer. Complete with lower cast iron isolation drain, clamping collar, neoprene flex gasket, and isolation nipple.

OPTIONS (Check/specify appropriate options)

PIPE SIZE

- 2,3,4,5,6[51,76,102,127,152]
- 2,3,4,5,6[51,76,102,127,152]
- 2,3,4,5,6[51,76,102,127,152]
- 2,3,4[51,76,102]

(Specify size/type) **OUTLET**

- _____ IC Inside Caulk
- _____ IP Threaded
- _____ NH No-Hub
- _____ NL Neo-Loc

E BODY HT. DIM.

- 5-1/4 [133]
- 3-3/4 [95]
- 5-1/4 [133]
- 4-5/8 [117]

PREFIXES

- _____ Z Cast Iron Body w/ White A.R.E. Interior*
- _____ ZN Cast Iron Body w/ White A.R.E. Interior, 12-1/2 [318] Square N.B. Frame and Full Grate w/ 1/2 [13] Square Openings (Add 1/2 [13] to 12 [305] Dim.)
- _____ ZS Cast Iron Body w/ White A.R.E. Interior, 12-1/2 [318] Square Stainless Steel Frame and Full Grate w/ 1/2 [13] Square Openings (Add 1/2 [13] to 12 [305] Dim.)

SUFFIXES

- _____ -C Underdeck Clamp (Lower Body)
- _____ -DX Dex-O-Tex Flange (ZN Only)
- _____ -HD Stainless Steel Frame w/ Extra-Heavy Duty Stainless Steel Grate (ZS Only)
- _____ -HP Heel-Proof Grate (ZN Only)
- _____ -K Anchor Flange
- _____ -KC Anchor Flange w/ Seepage Holes and Clamp Collar
- _____ -LD (Less) Bottom Dome Strainer
- _____ -R Roof Sump Reveiver (Lower Body)
- _____ -TC Neo-Loc Test Cap Gasket (2,3,4 [51,76,102] NL Bottom Outlet Only)
- _____ -1 (Less) Grate
- _____ -2 1/2 Grate
- _____ -3 3/4 Grate
- _____ -4 Full Grate w/ Center Opening (2 [51] Dia. for Z) and (3-1/32 [77] Square for ZN & ZS)
- _____ -5 Grate w/ 4 [102] Dia. x 3-3/4 [95] High Funnel
- _____ -6 Grate w/ 6 [152] Dia. x 6 [152] High Funnel
- _____ -7 Grate w/ 6-3/4 x 3 x 1 [171 x 76 x 25] High Oval Funnel
- _____ -8 Grate w/ 8-7/8 x 3-5/8 x 3-3/4 [225 x 92 x 95] High Oval Funnel
- _____ -9 Angle Frame and Grate (ZN Only)
- _____ -11 Vandal-Proof Secured Grate (ZN & ZS Only)
- _____ -12 Depressed Aluminum Grate (ZN Only)
- _____ -15 Solid Loose Set Cover (Z & ZN Only)
- _____ -16 1/2 Solid Loose Set Cover (Z & ZN Only)
- _____ -17 3/4 Solid Loose Set Cover (Z & ZN Only)
- _____ -18 Solid Loose Set Cover w/ Center Opening (2-1/4 [57] Square for Z Only) and (3 [76] Square for ZN Only)
- _____ -19 Full Hinged Grate (ZN Only)
- _____ -23 Aluminum Bucket
- _____ -25 White A.R.C. Bucket
- _____ -31 Stainless Steel Mesh Liner for Bucket
- _____ -32 Aluminum Dome Strainer
- _____ -33 White A.R.C. Anti-Splash Bottom Dome Strainer
- _____ -34 N.B. Anti-Splash Bottom Dome Strainer
- _____ -90 90° Threaded Side Outlet Body(Lower Body)

* Regularly furnished unless otherwise specified.