



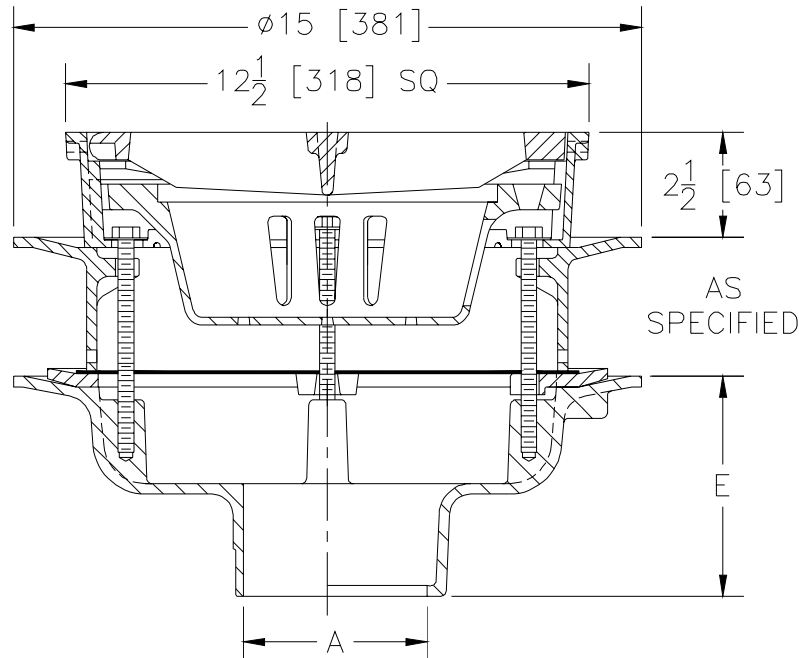
# Z610-105

## 12 [305] HEAVY-DUTY DRAIN W/ EXTENSION & SECONDARY CLAMP COLLAR

SPECIFICATION SHEET

TAG \_\_\_\_\_

Dimensional Data (inches and [ mm ]) are Subject to Manufacturing Tolerances and Change Without Notice



A- Pipe Size In.	Approx. Wt. Lbs. [kg]	Grate Open Area Sq. In. [cm <sup>2</sup> ]
2 thru 6 [51 thru 152]	54 [24]	40 [258]
8-10 [203-254]	56 [25]	

**ENGINEERING SPECIFICATION: ZURN Z610-105**

12 [305] Square top drain, Dura-Coated cast iron body with bottom outlet, seepage pan and combination membrane flashing clamp and frame for heavy duty cast iron loose slotted grate, with suspended sediment bucket, static extension, and secondary clamp collar.

**OPTIONS** (Check/specify appropriate options)

**PIPE SIZE**

- 2 thru 6-8-10 [51 thru 152-203-254]
- 2 thru 4-6 [51 thru 102-152]
- 2 thru 6-8-10 [51 thru 152-203-254]
- 2 thru 6-8-10 [51 thru 152-203-254]
- 2 thru 4 [51 thru 102]

(Specify size/type) **OUTLET**

- \_\_\_ IC Inside Caulk
- \_\_\_ IG Inside Caulk w/Sealtrol Gskt.
- \_\_\_ IP Threaded
- \_\_\_ NH No-Hub
- \_\_\_ NL Neo-Loc

**'E' BODY HT. DIM.**

- 5 1/4 [133]
- 5 1/4 [133]
- 3 3/4 [95]
- 5 1/4 [133]
- 4 5/8 [117]

**PREFIXES**

- \_\_\_ Z D.C.C.I. Body and Top\*
- \_\_\_ ZB D.C.C.I Body w/Polished Bronze Top (Add 3/16 [5] to 2 1/2 [64] Dim. and 3/4 [19] to 12 1/2 [318] Dim.)
- \_\_\_ ZN D.C.C.I Body w/Polished Nickel Bronze Top (Add 3/16 [5] to 2 1/2 [64] Dim. and 3/4 [19] to 12 1/2 [318] Dim.)

**SUFFIXES**

- |   |   |
|---|---|
| <ul style="list-style-type: none"> <li>___ -AR Acid Resistant Epoxy Coated Finish</li> <li>___ -DG Duresist Grate</li> <li>___ -DS Ductile Iron Solid Cover</li> <li>___ -DX Dex-o-tex Flange</li> <li>___ -G Galvanized Cast Iron</li> <li>___ -H Hinged Grate</li> <li>___ -HL Hinged Locking Grate</li> <li>___ -LY (Less) Sediment Bucket</li> <li>___ -P Trap Primer Connection</li> <li>___ -S Secondary Strainer</li> <li>___ -SC Solid Cover</li> </ul> | <ul style="list-style-type: none"> <li>___ -SS Stainless Steel Mesh Liner For Bucket</li> <li>___ -TC Neo-Loc Test Cap Gasket (2 [51]-4 [102] NL Bottom Outlet Only)</li> <li>___ -TS Top Secured with Slotted Screws</li> <li>___ -V Backwater Valve (See Z1099)</li> <li>___ -VP Vandal-Proof Secured Top</li> <li>___ -YA Aluminum Sediment Bucket</li> <li>___ -90 90° Threaded Side Outlet Body</li> </ul> |
|---|---|

\*REGULARLY FURNISHED UNLESS OTHERWISE SPECIFIED

<b>REV.</b>	<b>DATE: 4/28/05</b>	<b>C.N. NO. 93284</b>
<b>DWG. NO. P-15146</b>		<b>PRODUCT NO. Z610-105</b>