



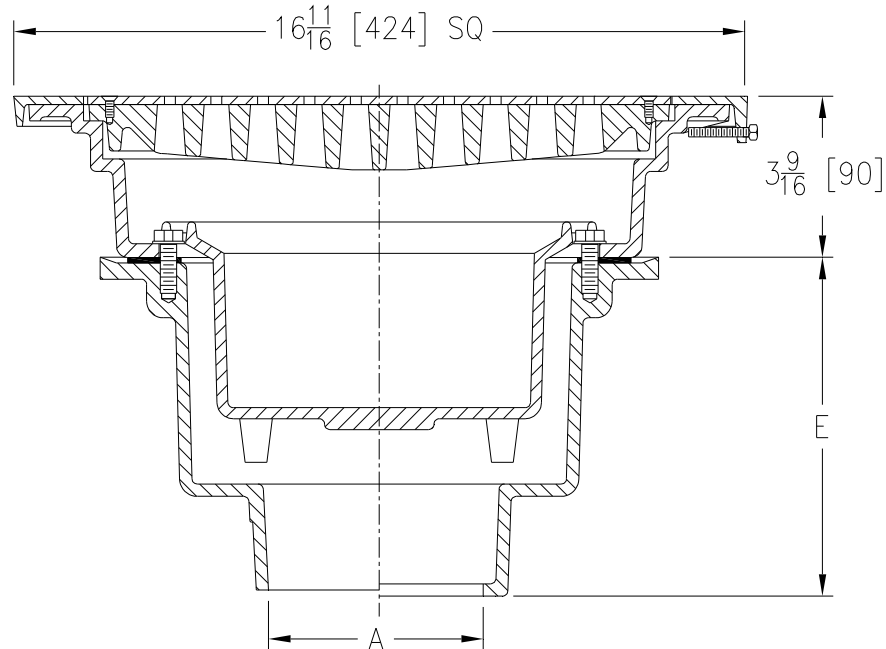
# Z662-94

## 16 [406] HEAVY-DUTY DRAIN W/ HEEL-PROOF VENEER

SPECIFICATION SHEET

TAG \_\_\_\_\_

Dimensional Data (inches and [ mm ]) are Subject to Manufacturing Tolerances and Change Without Notice



A Pipe Size	Approx. Wt. Lbs. [kg]	Grate Open Area Sq. In. [cm <sup>2</sup> ]
3, 4 [76, 102]	84 [38]	23 [148]
5, 6 [127, 152]	90 [41]	

**ENGINEERING SPECIFICATION: Z662-94**

16 [406] Square top drain, Dura-Coated cast iron body with bottom outlet, seepage pan and gasketed combination membrane flashing clamp and frame for heavy-duty slotted loose grate with stainless steel heel-proof veneer and suspended sediment bucket.

**OPTIONS** (Check/specify appropriate options)

**PIPE SIZE**

- 3 thru 6 [76 thru 152]
- 3, 4, 6 [76, 102, 152]
- 3 thru 6 [76 thru 152]
- 3 thru 6 [76 thru 152]
- 3, 4 [76, 102]

(Specify size/type) **OUTLET**

- \_\_\_\_\_ IC Inside Caulk
- \_\_\_\_\_ IG Inside Gasket
- \_\_\_\_\_ IP Threaded
- \_\_\_\_\_ NH No-Hub (IP w/Z1040-1)
- \_\_\_\_\_ NL Neo-Loc

**'E' BODY HT. DIM.**

- 7 3/4 [197]
- 7 3/4 [197]
- 6 3/8 [162]
- 
- 7 1/8 [181]

**PREFIXES**

- \_\_\_\_\_ ZB D.C.C.I Body w/Polished Bronze Top
- \_\_\_\_\_ ZS D.C.C.I Body w/Polished Stainless Steel Top\*

**SUFFIXES**

- \_\_\_\_\_ -DG Duresist Grate
- \_\_\_\_\_ -G Galvanized Cast Iron
- \_\_\_\_\_ -SS Stainless Mesh Liner for Bucket
- \_\_\_\_\_ -TC Neo-Loc Test Cap Gasket  
(3 [76] - 4 [102] NL Bottom Outlet Only)
- \_\_\_\_\_ -TS Top Secured with Slotted Screws
- \_\_\_\_\_ -V Backwater Valve (See Z1099)
- \_\_\_\_\_ -VP Vandal-Proof Secured Top
- \_\_\_\_\_ -YA Aluminum Sediment Bucket
- \_\_\_\_\_ -90 90° Threaded Side Outlet Body

\*REGULARLY FURNISHED UNLESS OTHERWISE SPECIFIED

REV.	DATE: 08/30/04	C.N. NO. 92507
DWG. NO. P-15319		PRODUCT NO. Z662-94

ZURN INDUSTRIES, INC. ♦ SPECIFICATION DRAINAGE OPERATION ♦ 1801 Pittsburgh Ave. ♦ Erie, PA 16514

Phone: 814/455-0921 ♦ Fax: 814/454-7929 ♦ World Wide Web: [www.zurn.com](http://www.zurn.com)

In Canada: ZURN INDUSTRIES LIMITED ♦ 3544 Nashua Drive ♦ Mississauga, Ontario L4V1L2 ♦ Phone: 905/405-8272 Fax: 905/405-1292