



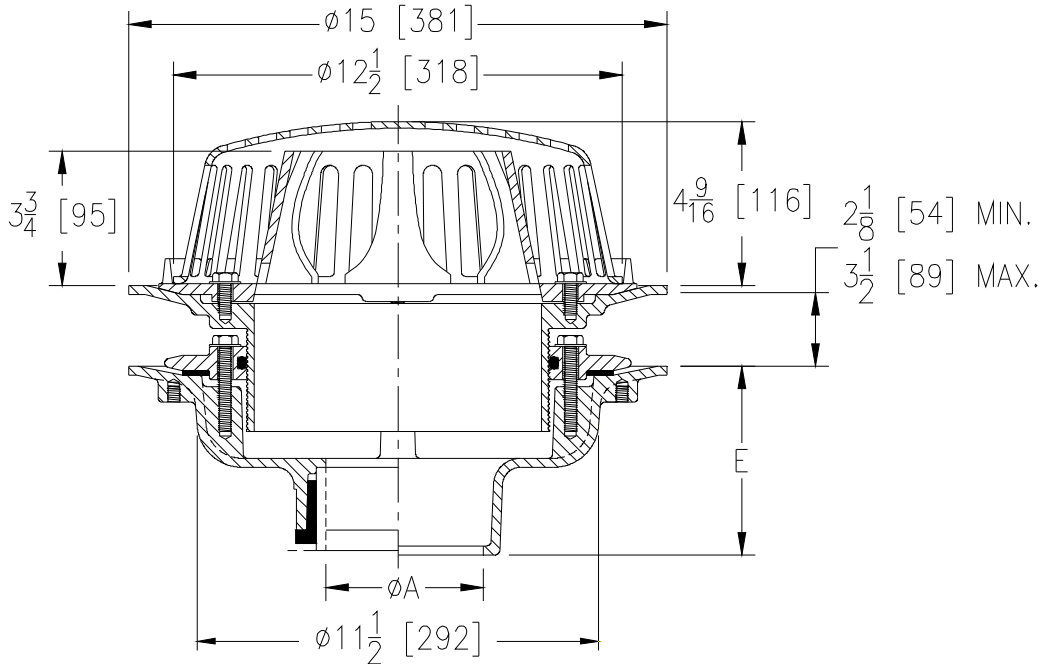
# Z105-EA

## CONTROL-FLO ROOF DRAIN WITH PARABOLIC WEIR AND ADJUSTABLE EXTENSION

SPECIFICATION SHEET

TAG \_\_\_\_\_

Dimensional Data (inches and [ mm ]) are Subject to Manufacturing Tolerances and Change Without Notice



Specify Number of Notches in Weir	
___-N1	One Notch
___-N2	Two Notches
___-N3	Three Notches
___-N4	Four Notches
___-N5	Five Notches
___-N6	Six Notches

A Pipe Size In.[mm]	Approx. Wt. Lbs. [kg]	Dome Open Area Sq. In. [cm <sup>2</sup> ]
2,3,4 [51,76,102]	53 [24]	103 [665]

### ENGINEERING SPECIFICATION: ZURN Z105-EA

15" [381mm] Diameter Control-Flo roof drain for dead-level roof construction with Dura-Coated cast iron body, Control-Flo weir shall be linear functioning with integral membrane flashing clamp/gravel guard, adjustable extension assembly and Poly-Dome. All data shall be verified proportional to flow rates. Each notch will allow 10GPM of flow per inch of rain water build up above drain.

**OPTIONS** (Check/specify appropriate options)

### PIPE SIZE

- 3, 4 [76,102]
- 2, 3, 4 [51,76,102]
- 2, 3, 4 [51,76,102]

(Specify size/type) **OUTLET**

- \_\_\_ IC Inside Caulk
- \_\_\_ NH No-Hub
- \_\_\_ NL Neo-Loc

**E BODY HT. DIM.**

- 5-1/4 [133]
- 5-1/4 [133]
- 4-9/16 [116]

### PREFIXES

- \_\_\_ Z D.C.C.I. Body with Poly-Dome\*
- \_\_\_ ZA D.C.C.I. Body with Aluminum Dome
- \_\_\_ ZC D.C.C.I. Body with Cast Iron Dome

### SUFFIXES

- \_\_\_ -C Underdeck Clamp
- \_\_\_ -DP Top-Set® Roof Deck Plate (Replace both the -C & -R)
- \_\_\_ -E Static Extension 1 [25] thru 4 [102] (Specify Ht.)
- \_\_\_ -G Galvanized Cast Iron
- \_\_\_ -R Roof Sump Receiver
- \_\_\_ -TC Neo-Loc Test Cap Gasket (2,3,4 [51,76,102] NL Bottom Outlet Only)
- \_\_\_ -VP Vandal Proof Secured Top
- \_\_\_ -10 6 [152] High Parabolic Weir for Sloped Roof (Z or ZA)

\* Regularly furnished unless otherwise specified.