



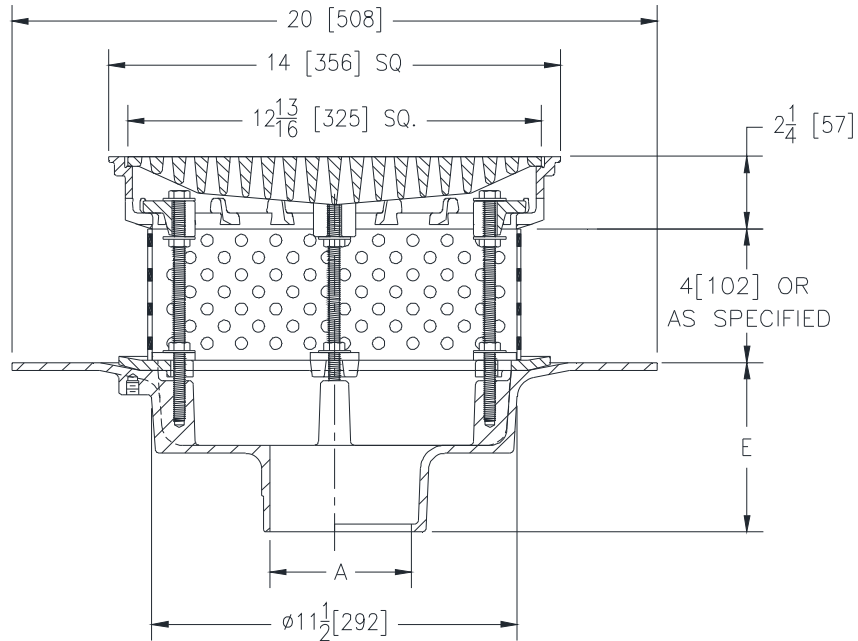
Z150-110

14 [356] TOP PROM-DECK DRAIN WITH
HEEL-PROOF GRATE & 20 [508] WIDE FLANGE BODY

SPECIFICATION SHEET

TAG _____

Dimensional Data (inches and [mm]) are Subject to Manufacturing Tolerances and Change Without Notice



A- Pipe Size In.	Approx. Wt. Lbs. [kg]	Grate Open Area Sq. In. [cm ²]
3, 4 [76, 102]	53 [24]	44 [284]
6, 8 [152, 203]		

ENGINEERING SPECIFICATION: ZURN Z150-110
14" [356mm] Square Top Prom-Deck drain. Dura-Coated cast iron 20" [508mm] Diameter wide flange body with promenade frame and heavy-duty heel proof grate, with combination membrane flashing clamp/ gravel guard, secondary clamp collar and perforated extension.

OPTIONS (Check/specify appropriate options)

PIPE SIZE

- 3, 4, 6 [76, 102, 152]
- 3, 4 [76, 102]
- 3, 4, 6, 8 [76, 102, 152, 203]

(Specify size/type) **OUTLET**

- ___ IC Inside Caulk
- ___ IP Threaded
- ___ NH No-Hub

E BODY HT. DIM.

- 5-1/4 [133]
- 5-1/4 [133]
- 5-1/4 [133]

PREFIXES

- ___ Z D.C.C.I. Body with Grate*
- ___ ZB D.C.C.I. Body w/ Polished Bronze Grate (Add 3/16 [5] to 2 [51] Dim & 3/8 [10] to 14 [356] Dim.)
- ___ ZN D.C.C.I. Body w/ Polished Nickel Bronze Grate (Add 3/16 [5] to 2 [51] Dim. & 3/8 [10] to 14 [356] Dim.)

SUFFIXES

- ___ -AC Angular Underdeck Clamp
- ___ -AR Acid Resistant Epoxy Coated Finish
- ___ -C Underdeck Clamp
- ___ -DG Duresist Grate
- ___ -E Static Extension 1 [25] thru 4 [102] (Specify Ht.)
- ___ -EA Adjustable Extension Assembly 1 3/4 [44] thru 3 1/2 [89]
- ___ -G Galvanized Cast Iron
- ___ -TS Secured Top With Slotted Screws
- ___ -VP Vandal Proof Secured Top
- ___ -Y Sediment Bucket

* Regularly furnished unless otherwise specified.