



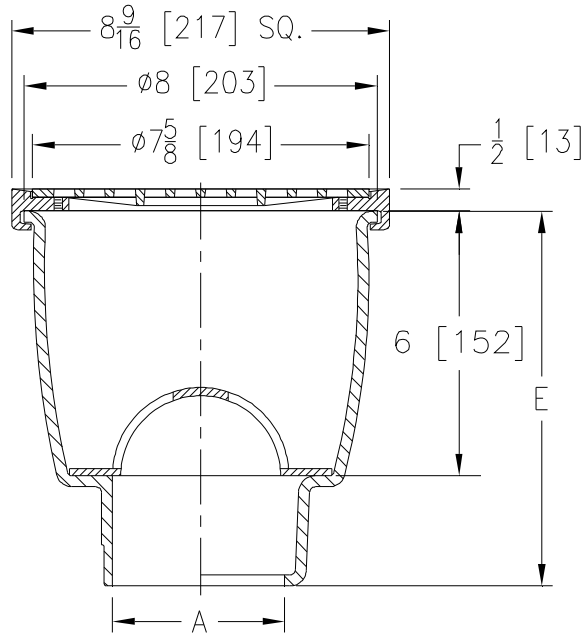
# ZN1960-T

8-9/16 [217] SQUARE A.R.E. SANI-FLOR RECEPTOR  
6 [152] SUMP DEPTH

SPECIFICATION SHEET

TAG \_\_\_\_\_

Dimensional Data (inches and [ mm ]) are Subject to Manufacturing Tolerances and Change Without Notice



A Pipe Size In. [mm]	Approx Wt. Lbs. [kg]	Grate Open Area Sq. In. [cm <sup>2</sup> ]
2,3,4 [51,76,102]	30 [13]	15 [97]

**ENGINEERING SPECIFICATION: ZURN ZN1960-T**  
Sani-Flor receptor 8-9/16" [217mm] square x 6" [152mm] deep cast iron body, nickel bronze veneer and round square holed light duty grate with white acid resisting porcelain enamel interior, black ground enamel exterior coating, complete with white ABS anti-splash interior bottom dome strainer.

**OPTIONS** (Check/specify appropriate options)

**PIPE SIZE**

- 3,4 [76,102]
- 2,3,4 [51,76,102]
- 2,3,4 [51,76,102]

(Specify size/type) **OUTLET**

- \_\_\_\_\_ IC Inside Caulk
- \_\_\_\_\_ NH No-Hub
- \_\_\_\_\_ NL Neo-Loc

**'E' DIMENSION**

- 8-15/16 [227]
- 8-15/16 [227]
- 8-7/16 [214]

**PREFIXES**

- \_\_\_\_\_ ZN Cast Iron Body with White A.R.E. Interior, 8-9/16 [217] Nickel Bronze Frame and Full Grate with 15/32 [12] Square Openings\*

**SUFFIXES**

- |           |                                                                   |           |                                                                 |
|-----------|-------------------------------------------------------------------|-----------|-----------------------------------------------------------------|
| _____ -K  | Anchor Flange with Seepage Holes                                  | _____ -6  | Grate w/ 6 [152] Diameter x 6 [152] High Funnel                 |
| _____ -KC | Anchor Flange with Seepage Holes and Clamp Collar                 | _____ -8  | Grate w/ 8-7/8 x 3-5/8 x 3-3/4 [225 x 92 x 95] High Oval Funnel |
| _____ -LD | Less Internal Bottom Dome Strainer                                | _____ -15 | Solid Loose Set Cover                                           |
| _____ -P  | 1/2 [13] Trap Primer Connection                                   | _____ -23 | Aluminum Bucket                                                 |
| _____ -TC | Neo-Loc Test Cap Gasket (2,3,4 [51,76,102] NL Bottom Outlet Only) | _____ -25 | White A.R.C. Bucket                                             |
| _____ -1  | Less Grate                                                        | _____ -31 | Stainless Steel Mesh Liner for Bucket                           |
| _____ -2  | 1/2 Grate                                                         | _____ -32 | Aluminum Dome Strainer                                          |
| _____ -3  | 3/4 Grate                                                         | _____ -33 | White A.R.C. Anti-Splash Bottom Dome Strainer                   |
| _____ -4  | Full Grate with 2 [51] Square Opening                             |           |                                                                 |

\* Regularly furnished unless otherwise specified.