



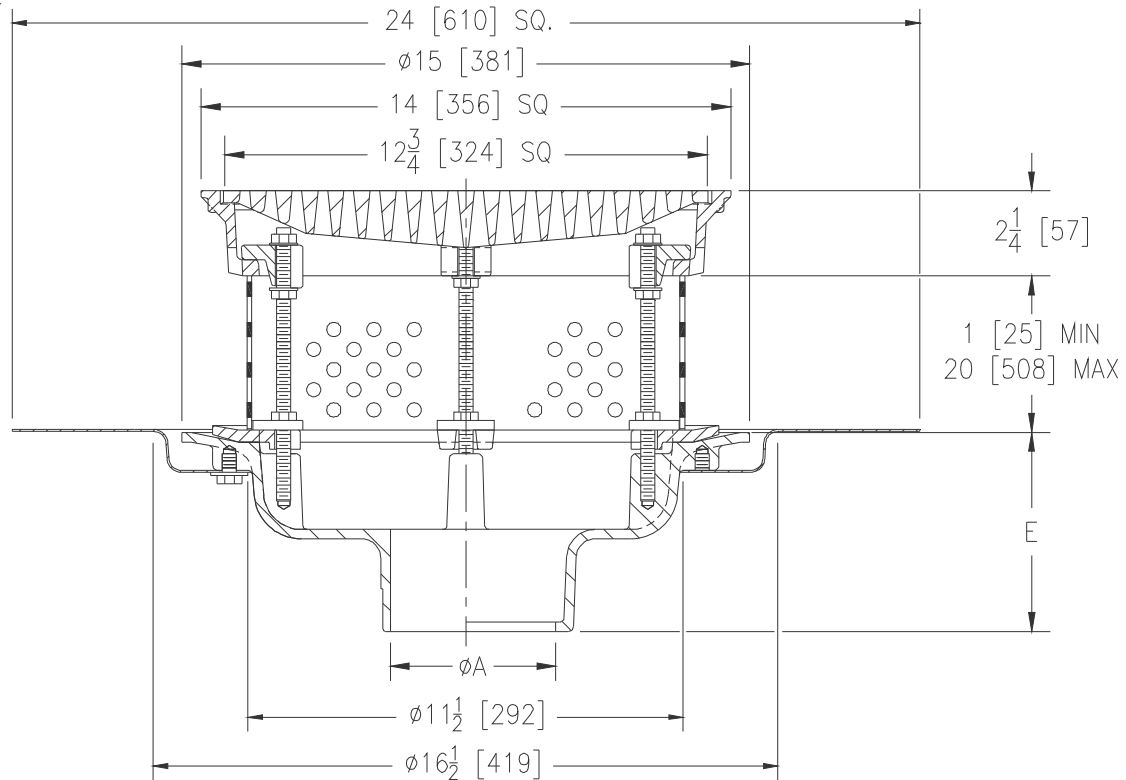
Z150-DP-VP-85

14 [356] SQUARE TOP PROM-DECK DRAIN W/ TOP-SET® DECK PLATE, VANDAL PROOF SECURED HEEL PROOF GRATE, STAINLESS STEEL PERFORATED EXTENSION, AND ROTATABLE FRAME

SPECIFICATION SHEET

TAG _____

Dimensional Data (inches and [mm]) are Subject to Manufacturing Tolerances and Change Without Notice



A Pipe Size in [mm]	Approx Wt. lbs [kg]	Grate Open Area in ² [cm ²]
2,3,4 [51,76,102]	54 [24]	44 [284]
6 [152]		
8 [203]	56 [25]	

ENGINEERING SPECIFICATION: ZURN Z150-DP-VP-85

14" [356mm] Square top Prom-Deck drain, Dura-Coated cast iron body with rotatable square promenade frame, frame clamps, perforated extension, secondary clamp collar, heel-proof grate w/ vandal-proof screws and Top-Set® deck plate.

OPTIONS (Check/specify appropriate options)

PIPE SIZE

- 2,3,4,6 [51,76,102,152]
- 2,3,4,6, 8 [51,76,102,152,203]
- 2,3,4,6, 8 [51,76,102,152,203]
- 2,3,4 [51,76,102]

(Specify size/type) OUTLET

- _____ IC Inside Caulk
- _____ IP Threaded
- _____ NH No-Hub
- _____ NL Neo-Loc

E BODY HT. DIM.

- 5-1/4 [133]
- 3-3/4 [95]
- 5-1/4 [133]
- 4-5/8 [117]

PREFIXES

- _____ Z D.C.C.I. Body with Top*
- _____ ZB D.C.C.I. Body with Polished Bronze Top (Add 3/16 [5] to 2 [51] Dim & 3/8 [10] to 14 [356] Dim.)
- _____ ZN D.C.C.I. Body with Polished Nickel Bronze Top (Add 3/16 [5] to 2 [51] Dim & 3/8 [10] to 14 [356] Dim.)

SUFFIXES

- _____ -AR Acid Resistant Epoxy Coated
- _____ -DG Duresist Grate
- _____ -DT Decorative Polished Top (ZN and ZB Only)
- _____ -E Static Extension 1 [25] thru 4 [102] (Specify Ht.)
- _____ -EA Adjustable Extension Assembly
2-1/8 [54] thru 3-1/2 [89]
- _____ -G Galvanized Cast Iron
- _____ -S Secondary Strainer
- _____ -SC Secondary Clamping Collar
- _____ -TC Neo-Loc Test Cap Gasket
(2,3,4 [51,76,102] NL Bottom Outlet Only)
- _____ -XJ Vertical Expansion Joint (See Z190)
- _____ -Y Sediment Bucket
- _____ -90 90° Threaded Side Outlet Body

* Regularly furnished unless otherwise specified.