



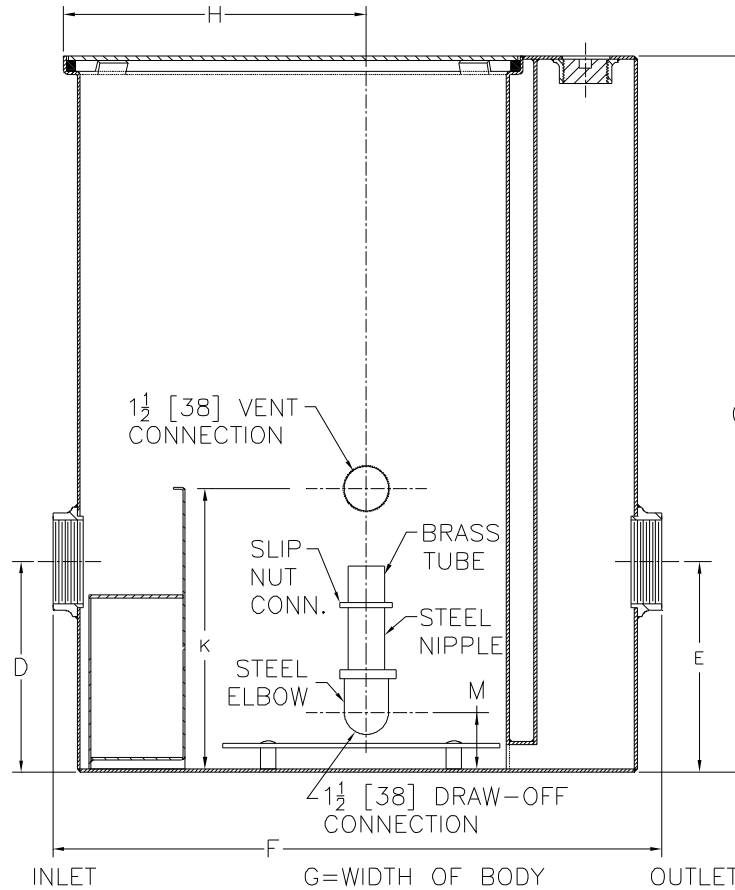
Z1186-128

#500 OIL INTERCEPTOR W/ 31 7/8 [810] OVERALL HEIGHT

SPECIFICATION SHEET

TAG _____

Dimensional Data (inches and [mm]) are Subject to Manufacturing Tolerances and Change Without Notice



Size	Inlet/ Outlet Size **	Flow Rate GPM [L]	Water Cap. Gal. [L]	Approx. Wt.Lbs. [kg]	Dimensions In Inches						
					C	D/E	F	G	H	K	M
500	3 [76]	20 [76]	10 [38]	106 [48]	31 7/8 [810]	9 3/8 [238]	27 1/8 [689]	16 3/4 [425]	13 1/4 [336]	12 1/2 [318]	2 1/2 [64]

ENGINEERING SPECIFICATION: ZURNZ1186-128

Acid Resistant Coated interior and exterior fabricated steel oil interceptor with 16 3/8 [416] integral extension, bronze cleanout plug and visible double wall trap seal, removable combination pressure equalizing/flow diffusing baffle and sediment bucket, horizontal baffle, adjustable oil draw-off and vent connections either side, secured gasketed non-skid cover, complete with flow control fitting. Regularly furnished with inlet and outlet in high position.

Note: Location of outlet from bottom of interceptor cannot be changed.

OPTIONS (Check/specify appropriate options)

PREFIXES

_____ Z Acid Resistant Coated Fabricated Steel*

SUFFIXES

- _____ -HD Heavey duty traffic cover rated at 10,000 lbs. [4536] Kg. maximum safe live load.
- _____ -K Anchor flange 1 3/4 [44] down from top and 2 [51] wide. A 3 [76] minimum extension height is required when anchor flange (-K) option is specified. (Specify 'C' Dim. height required.)
- _____ -KC Anchor flange 1 3/4 [44] down from top and 2 [51] wide with clamp collar.

** Inlet and outlet sizes shown indicate standard operating sizes and flow control setting.

REV.	DATE: 07/22/08	C.N. NO. 98860
DWG. NO. P-15571	PRODUCT NO. Z1186-128	

*REGULARLY FURNISHED UNLESS OTHERWISE SPECIFIED