



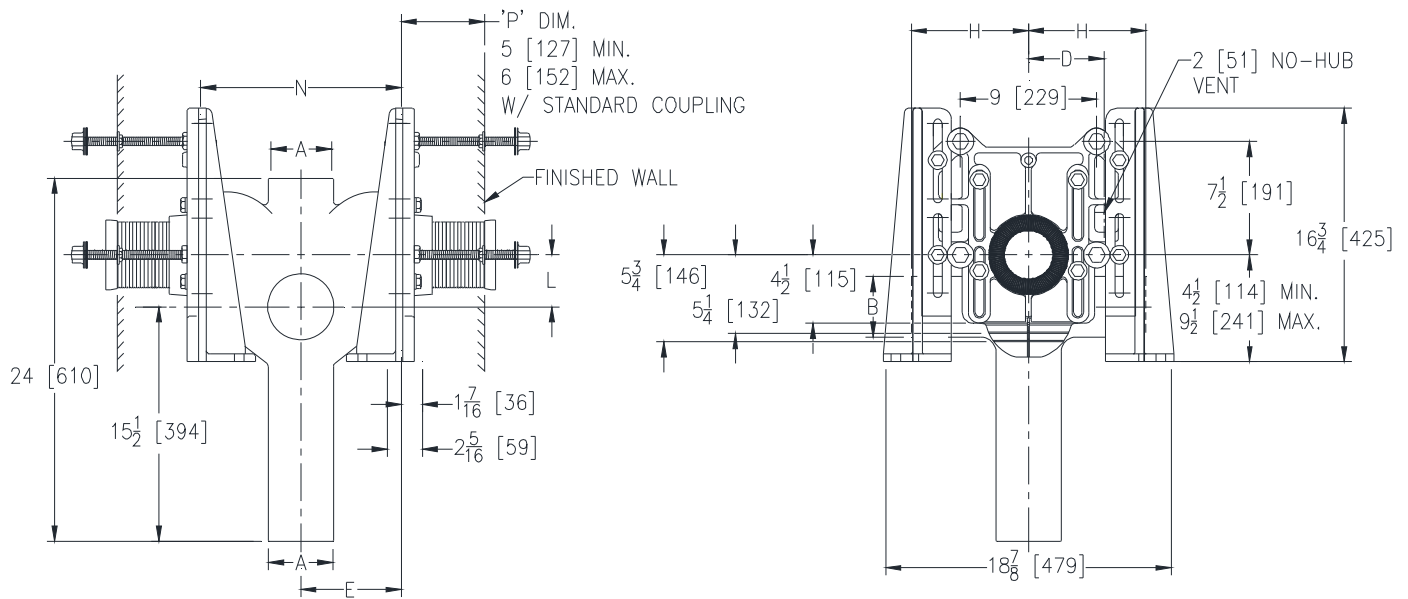
# Z1204-2ND4-XH

EXTRA HEAVY-DUTY 750 [340] ADJUSTABLE VERTICAL  
BACK TO BACK SIPHON JET NO-HUB WITH SIDE INLETS

SPECIFICATION SHEET

TAG \_\_\_\_\_

Dimensional Data (inches and [ mm ]) are Subject to Manufacturing Tolerances and Change Without Notice



**NOTE:**

1. Min. 'P' Dim. Obtainable = 2 [51] with cut standard coupling.
2. Feet bolted to floor using min. 1/2 [13] dia. bolts and back slots on carrier feet.

Product No.	Dimensions in Inches[mm]								App. Wt. Lbs. [kg.]
	A	B	D	E	H	L (Min.)	L (Max.)	N	
Z1204-2ND4-XH	4[102]	4 [102]	5 [127]	6-5/8 [168]	5-1/2 [140]	1-5/8 [41]	5-5/8 [143]	13-1/4 [337]	139 [60]

**ENGINEERING SPECIFICATION: ZURN Z1204-2ND4-XH**

Extra-Heavy-Duty Adjustable 750lb [340kg], vertical back to back siphon jet water closet "Rigid System" with 4" [102mm] No-Hub connections and 4" [102mm] side inlets. Complete with Dura-Coated cast iron double main fitting, with 2" [51mm] vent, adjustable gasketed face plate, universal floor mounted foot supports, corrosion resistant adjustable ABS coupling with integral test cap, fixture bolts, trim, stud protectors, and bonded "Neo-Seal" gasket. Carrier complies with all applicable requirements of ASME A112.6.1M up to a 750 Lb. [340 kg] load.

**PRODUCT/DEFINITION**

\_\_\_\_\_ Z1204-2ND4-XH No-Hub Stack, Double Inlets, (2) 4 [102] Side Inlets, 2 [51] Vent

**PREFIXES**

- \_\_\_\_\_ Z D.C.C.I. System with Zurn "ZZ" Adjustable Coupling\*
- \_\_\_\_\_ ZQ D.C.C.I. System with Non-Adjustable Coupling

**SUFFIEXS**

- \_\_\_\_\_ -B Blowout Type Fixture Support
- \_\_\_\_\_ -CC Corrosion Resistant Cast Iron Coupling (6 - 12 [152 - 305])
- \_\_\_\_\_ -CL Coupling Length Other than Standard 6 [152] (Specify Length Required)
- \_\_\_\_\_ -PF Pre-Fab Foot
- \_\_\_\_\_ -VP Vandal-Proof Trim
- \_\_\_\_\_ -45 Finishing Frame for Siphon Jet System (See Z1200-FINFRAME-SJ)
- \_\_\_\_\_ -50 Flush Valve Supply Support for W.C. (See Z1200-SPLY-SPRT-WC)

\* Regularly furnished unless otherwise specified.