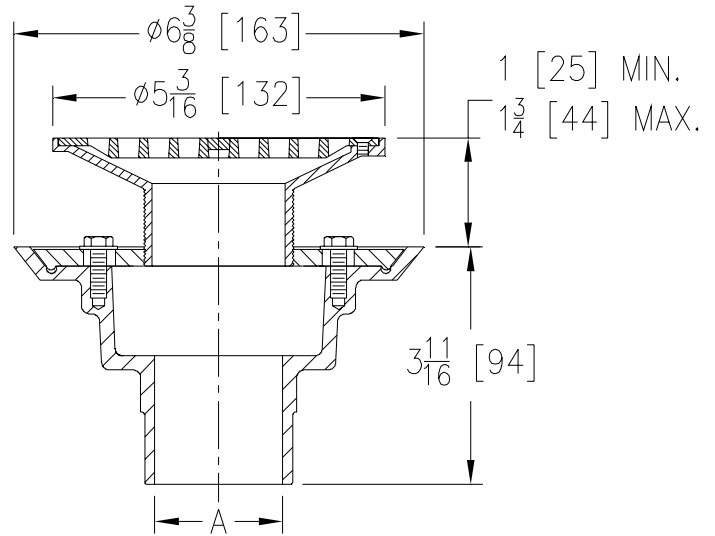


Dimensional Data (inches and [ mm ]) are Subject to Manufacturing Tolerances and Change Without Notice



Product	'A' Connections	Grate Open Area Sq. In [cm <sup>2</sup> ]
___ FD2254-NH2-R5	2 [51] No-Hub	9 [58]
___ FD2254-PO2-R5	2 [51] Push-On	
___ FD2254-IC2-R5	2 [51] Caulk	
___ FD2254-IP2-R5	2 [51] IPS	

**FD2254-R5 Cast Iron Shower Drain**

Recommended in showers where a membrane is generally used. The unit has an adjustable head and nickel strainer to meet finished floor elevations. The drain is furnished with a cast iron body and clamping collar. Beveled clamping provides easier subfloor installation.

**Options:**

- \_\_\_ -CP Chrome Plated Strainer Assembly
- \_\_\_ -PB Polished Brass Strainer Assembly

**Typical installation**

