



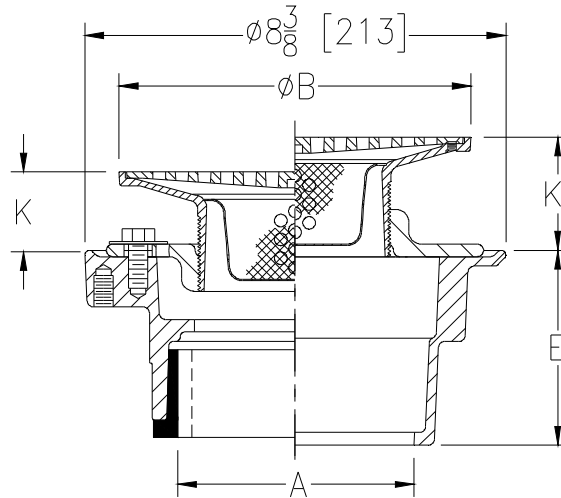
# Z415B-123

BODY ASSEMBLY W/ "TYPE B" STRAINER  
& SEDIMENT BUCKET WITH MESH LINER

SPECIFICATION SHEET

TAG \_\_\_\_\_

Dimensional Data (inches and [ mm ]) are Subject to Manufacturing Tolerances and Change Without Notice



Dimensions In Inches [mm]						Approx. Wt. Lbs. [kg]	Strainer Open Area Sq. In. [cm <sup>2</sup> ]
A - Pipe Size	B - Top Size	K		K'			
		Min.	Max.	Min.	Max.		
2,3 [51,76]	5 [127]	1/2 [13]	1-5/8 [41]	1-3/8 [35]	2-3/8 [60]	11 [5]	8 [52]
2,3,4 [51,76,102]	6 [152]	3/4 [19]	1-3/4 [44]	1-5/8 [41]	2-3/4 [70]	13 [6]	9 [58]
2,3,4 [51,76,102]	7 [178]	1 [25]	2-1/4 [57]	2 [50]	3-1/8 [79]	14 [6]	12 [77]
3,4 [76,102]	8 [203]	1-1/8 [29]	2-1/4 [57]	2 [50]	3-1/8 [79]	16 [7]	18 [116]
6 [152]	8 [203]	1-1/8 [29]	2-1/4 [57]	2 [50]	3-1/8 [79]	18 [8]	18 [116]
6 [152]	10 [254]	1-5/8 [41]	2-5/8 [67]	2-5/8 [67]	3-1/2 [89]	22 [10]	26 [168]

**ENGINEERING SPECIFICATION: ZURN Z415B-123**

Floor and shower drain, Dura-Coated cast iron body with bottom outlet, combination invertible membrane clamp and adjustable collar with "TYPE B" polished nickel bronze strainer and sediment bucket, with 40 Mesh Size Stainless Steel Liner.

**OPTIONS** (Check/specify appropriate options)

**PIPE SIZE**

- 2,3,4 [51,76,102]
- 2 [51]
- 3 [76]
- 4 [102]
- 6 [152]
- 2,3,4 [51,76,102]
- 2,3,4 [51,76,102]

(Specify size/type) **OUTLET**

- \_\_\_\_\_ IC Inside Caulk
- \_\_\_\_\_ IP Threaded
- \_\_\_\_\_ IP Threaded
- \_\_\_\_\_ IP Threaded
- \_\_\_\_\_ IP Threaded
- \_\_\_\_\_ NH No-Hub
- \_\_\_\_\_ NL Neo-Loc

**'E' BODY HT. DIM.**

- 4-3/16 [106]
- 2-7/16 [62]
- 2-3/4 [70]
- 2-13/16 [71]
- 2-7/8 [73]
- 3-13/16 [97]
- 3-7/8 [98]

**PREFIXES**

- \_\_\_\_\_ **ZB** D.C.C.I. Body Assembly with Polished Bronze Top
- \_\_\_\_\_ **ZN** D.C.C.I. Body Assembly with Polished Nickel Bronze Top\*

**SUFFIXES**

- \_\_\_\_\_ -AA All Acid Resisting Epoxy
- \_\_\_\_\_ -AR Acid Resisting Epoxy Coated Cast Iron
- \_\_\_\_\_ -DP Decorative Polished Top
- \_\_\_\_\_ -G Galvanized Cast Iron
- \_\_\_\_\_ -HD Heavy-Duty Slotted Grate (ZN 5 [127] and 6 [152] sizes Only)
- \_\_\_\_\_ -P Trap Primer Connection (Specify 1/2 [13] or 3/4 [19])
- \_\_\_\_\_ -TC Neo-Loc Test Cap Gasket (2,4 [51,102] NL Bottom Outlet Only)
- \_\_\_\_\_ -U 1 - 3 [25 - 76] High Extension Adapter
- \_\_\_\_\_ -VP Vandal-Proof Secured Top
- \_\_\_\_\_ -4 4 [102] Diameter Funnel (Z328)
- \_\_\_\_\_ -90 2 or 3 [51 or 76] Side Outlet Body Assembly

\* Regularly furnished unless otherwise specified.