



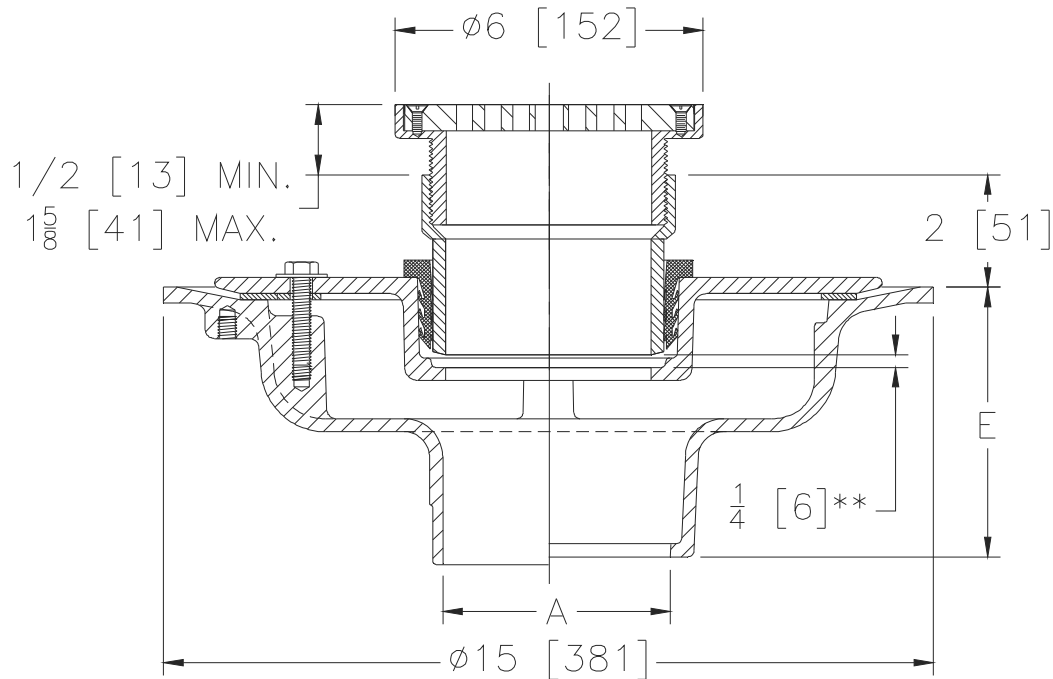
Z624-106

SHALLOW ISOLATION DECK ADJUSTABLE DRAIN

SPECIFICATION SHEET

TAG _____

Dimensional Data (inches and [mm]) are Subject to Manufacturing Tolerances and Change Without Notice



A Pipe Size	Approx. Wt. Lbs. [kg]	Grate Open Area Sq. In. [cm ²]
2-3-4 [51-76-102]	42 [19]	9 [58]
5-6 [127-152]		

ENGINEERING SPECIFICATION: ZURN ZN624-106
 Shallow adjustable isolation deck drain, Dura-Coated cast iron body clamp collar, neoprene flex gasket, isolation nipple adapter and adjustable 6 [152] diameter heavy-duty nickel bronze strainer.

OPTIONS (Check/specify appropriate options)

PIPE SIZE

- 2-3-4-5-6 [51-76-102-127-152]
- 2-3-4-6 [51-76-102-152]
- 2-3-4-5-6 [51-76-102-127-152]
- 2-3-4-5-6 [51-76-102-127-152]
- 2-3-4 [51-76-102]

(Specify size/type) **OUTLET**

- ___ IC Inside Caulk
- ___ IG Inside Gasket
- ___ IP Threaded
- ___ NH No-Hub
- ___ NL Neo-Loc

'E' BODY HT. DIM.

- 5-1/4 [133]
- 5-1/4 [133]
- 3-3/4 [95]
- 5-1/4 [133]
- 4-5/8 [117]

PREFIXES

- ___ ZN D.C.C.I Body w/ Polished Nickel Bronze Top*

SUFFIXES

- ___ -C Underdeck Clamp
- ___ -G Galvanized Cast Iron
- ___ -PC Protective Cover
- ___ -VP Vandal-Proof Secured Top

** 1/4 [6] gap created by raising upper drain body prior to encasing drain in concrete.

* Regularly furnished unless otherwise specified.