

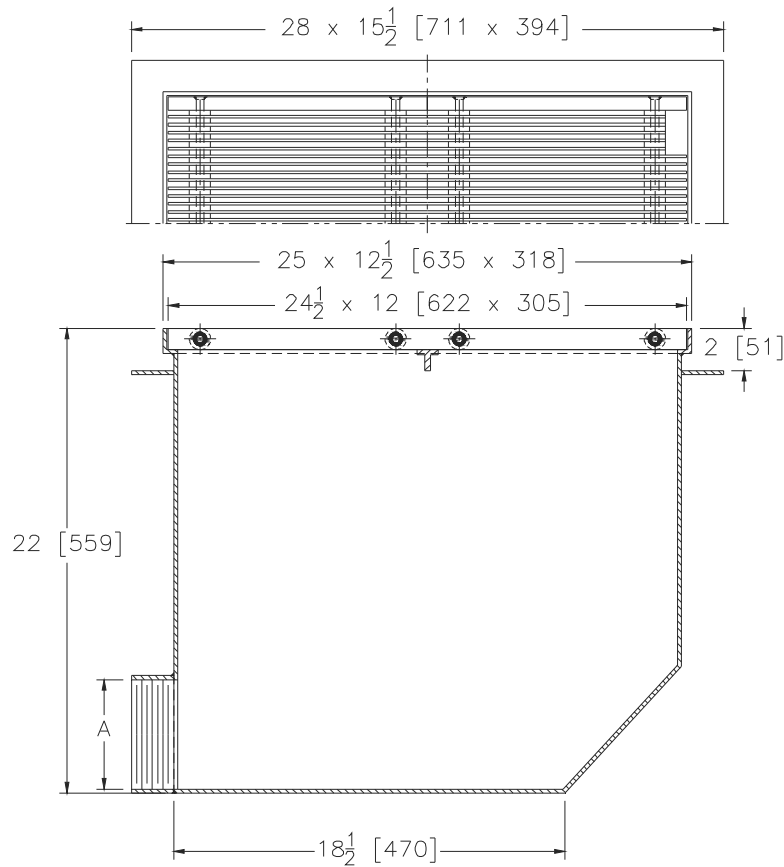


**Z1762-77**  
**KETTLE DRAIN WITH**  
**22 [559] SUMP DEPTH AND SIDE OUTLET**

SPECIFICATION SHEET

TAG \_\_\_\_\_

Dimensional Data (inches and [ mm ]) are Subject to Manufacturing Tolerances and Change Without Notice



**Engineering Specification: ZURN ZS1762-77**

Type 304 (CF8) stainless steel fabricated body, 22 [559] sump depth, side outlet, and light-duty stainless steel two piece grate with 1/8 [3] bars on 3/8 [10] centers. One grate section with lift hole.

Dimensions in Inches	Approx. Weight. Lbs.[Kg.]	Grate Open Area Sq. In.[cm <sup>2</sup> ]
A-Pipe Size		
3-4-6-8 [76-102-152-203]	118 [53]	149 [961]

**Options** (Check/specify appropriate options)

**Pipe Size (ØA)**

3-4-6-8[76-102-152-203]

3-4-6-8[76-102-152-203]

(Specify size/type) **OUTLET**

\_\_\_ IP Threaded

\_\_\_ NH No-Hub

**Prefixes**

\_\_\_ **Z** Acid Resistant Epoxy Coated Steel Body with Stainless Steel Top.

\_\_\_ **ZS** All Type 304 Fabricated Stainless Steel Body with Stainless Steel Top\*

**Suffixes**

\_\_\_ **-SB** Solids Retaining Baffle

\* Regularly furnished unless otherwise specified.