



Z887-98

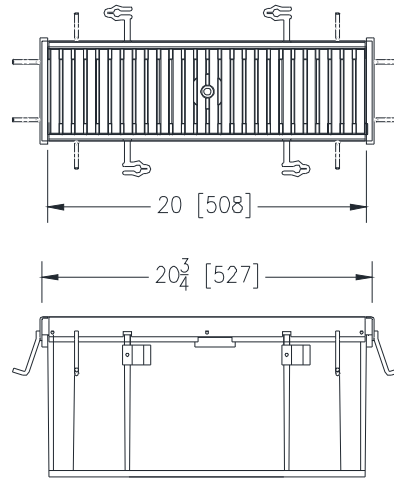
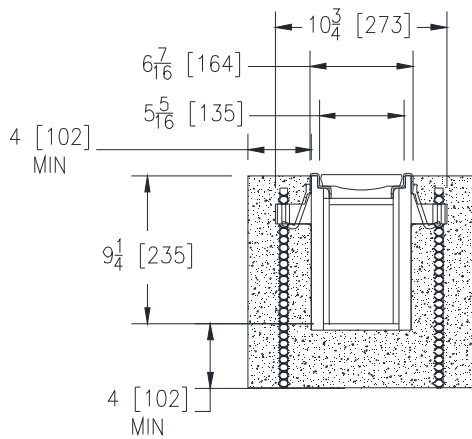
6-7/16 [164] WIDE REVEAL BY 20 [508] LONG
SHALLOW CATCH BASIN WITH HEAVY-DUTY STAINLESS
STEEL FRAME ASSEMBLY AND IRON AGE GRATE

SPECIFICATION SHEET

TAG _____

Dimensional Data (inches and [mm]) are Subject to Manufacturing Tolerances and Change Without Notice

SPECIFYING ENGINEER IS RESPONSIBLE FOR CONCRETE ENCASUREMENT AND REINFORCING BASED UPON APPLICATION AND LOCAL CODES



NOTE: + Actual Channel length is 20³/₄ [527].

ENGINEERING SPECIFICATION: Zurn Z887-98

Shallow Catch Basin shall be 6-7/16" [164mm] wide reveal x 20" [508mm] long and 10" [254mm] deep. The body shall be made of 0% water absorbent High Density Polyethylene (HDPE). Shall mechanically lock into the concrete surround a minimum of every 10" [254mm]. Catch basin shall weigh less than 10 bs. [4.5kg] per linear foot. Catch basin shall have rebar clips standard to secure basin in its final location. Shall be provided provided with RJC grates that lock down to frame. Iron Age Regular Joe Ductile Iron heel-proof grate is 5-3/8" [137mm] wide and 20" [508mm] long, weighing 9 lbs per linear foot [13.4 kg/m] and is made from 80% recycled content. The grate has an open area of 9 sq. inches per linear foot [191 cm²/m]. Grate conforms to DIN rating of C, ANSI rating of Heavy-Duty, ADA compliant* and H-20 load rating. Grate product ID number is RJZ5-20132HP. *Elongated openings shall be placed so that the long dimension is perpendicular to the dominant direction of travel. The .105" [2.66mm] thick Heavy-Duty Stainless Steel Frame Assembly conforms to ASTM specification A-240 (type 316), with 4 - 4" [102mm] long concrete anchors per basin. All welds must be performed by a certified welder per ASTM standard AWS D1.6. Frames Shall be produced in the U.S.A.

PREFIX OPTIONS (Check/specify appropriate options)

___ Z 6-inch by 20-inch High Density Polyethylene (HDPE)*

SUFFIX OPTIONS (Check/specify appropriate options)

Outlet Adapters Add/Each

- ___ -E3 3 [76] No-Hub End Outlet ___ -U3 3 [76] No-Hub Bottom Outlet
- ___ -E4 4 [102] No-Hub End Outlet ___ -U4 4 [102] No-Hub Bottom Outlet
- ___ -E6 6 [152] No-Hub End Outlet ___ -U6 6 [152] No-Hub Bottom Outlet

Miscellaneous Options (MADE in the U.S.A.)

- ___ -DB Bottom Dome Strainer
- ___ -VP Vandal-Proof Lockdown
- ___ -Y Sediment Bucket

Miscellaneous Options

- ___ -IA Inlet Adapter - Z886

* Regularly furnished unless otherwise specified.